

# Sidestream Filtration

## Application & Sizing Guide

Filtration combined with water treatment is part of a preventative maintenance program. Suspended particles in a closed loop water system can reduce the effectiveness of water treatment chemicals and contribute to or accelerate corrosion and biological growth. Scale, corrosion, biofilms and suspended solids interact with each other and cause operational problems and component failure.

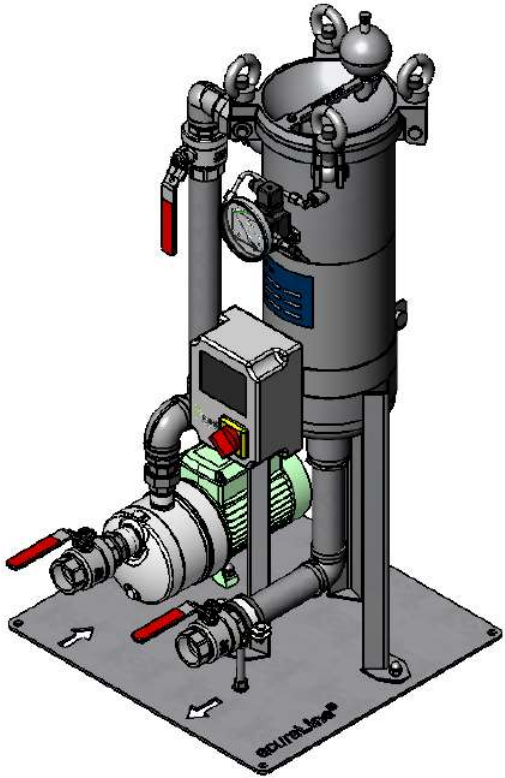
**Sizing:**

Sidestream filters work by filtering a small percentage of total system volume every hour, typically 5 – 10%.

**Example**

- Total system volume: 50,000 L
- 10% of system volume: 5,000 L
- Sidestream filter design flow rate: 5,000 l/h (5 m3/h)

Therefore, a sidestream filter designed to handle a flow rate of 5,000 l/h will filter the complete system volume every 10 hours.



**Benefits of FLOWStream FLS Sidestream filters**

- Supplied fully assembled and easy to use
- Can be installed on new and old systems
- Low maintenance demand and operator friendly
- Effective removal of particles down to 1 micron with disposable filter elements or bags
- Optional magnet bar for dual removal solution
- Indication of blocked filters on a coloured gauge
- Remote signal to BMS with an integrated reed switch
- Integrated pump to reduce demand on system pumps

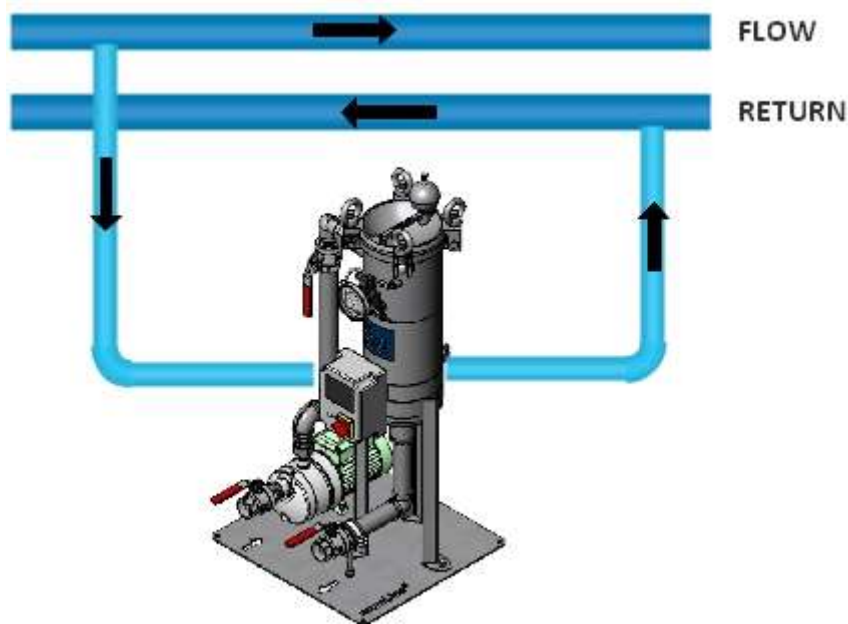
**Specifications**

	<b>Model FLS-5</b>	<b>Model FLS-15</b>	<b>Model FLS-30</b>
Flow rate	Up to 5 m3/h	Up to 15 m3/h	Up to 30 m3/h
System volume	Up to 50,000 L	Up to 150,000 L	Up to 300,000 L
Filtration	1 / 5 / 10 / 20 / 40 / 70 micron with acuraPleat filter elements. Polypropylene (Standard), Polyester (high temperature).		
Materials of construction	Stainless steel		
Max. operating pressure	8 bar (Higher pressure ratings available)		
Max. operating temperature	-10/+90°C (Higher temperature ratings available)		
Connection options	¾", 1", 1 ½", 2" BSP or PN16 Flange		
Signals	<b>Signal 1</b> - 90% filter blockage (External alarm) <b>Signal 2</b> - 100% filter blockage (Pump trip to avoid damage to filter)		
Electrical connection	230V, 50Hz	400V, 50Hz	400V, 50Hz
Ingress protection	IP54		

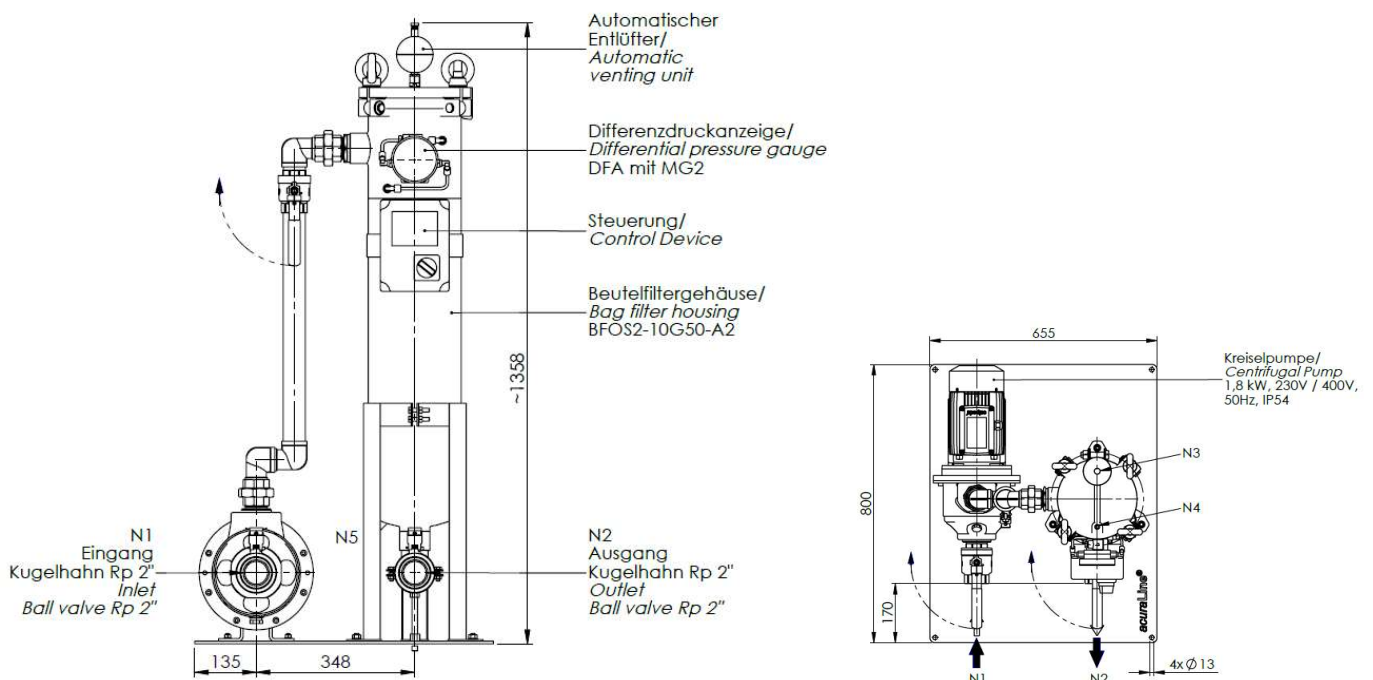
*All sales are governed by our terms and conditions a copy of which is available on request. We reserve the right to modify or improve the designs or specifications of our products at any time without notice.*

## Installation & Operation

The unit is installed between flow and return pipework to continuously filter a small percentage of flow. Once the filter is blocked as indicated on the DP gauge, isolate and drain the unit with the valves provided to replace the filter element. If the unit was supplied with a magnet then this should be reinstalled after cleaning. Please refer to operating manual for complete instructions.



## Typical dimensions



**Siga Filtration**, Unit 27 Craven Court, Glebeland Road,  
Camberley, Surrey, GU15 3BU, United Kingdom  
E. [enquiries@sigafiltration.co.uk](mailto:enquiries@sigafiltration.co.uk)  
W. [www.sigafiltration.co.uk](http://www.sigafiltration.co.uk)  
T. +44 (0) 1276 583 046

**sigafiltration**  
OptimalSeparation