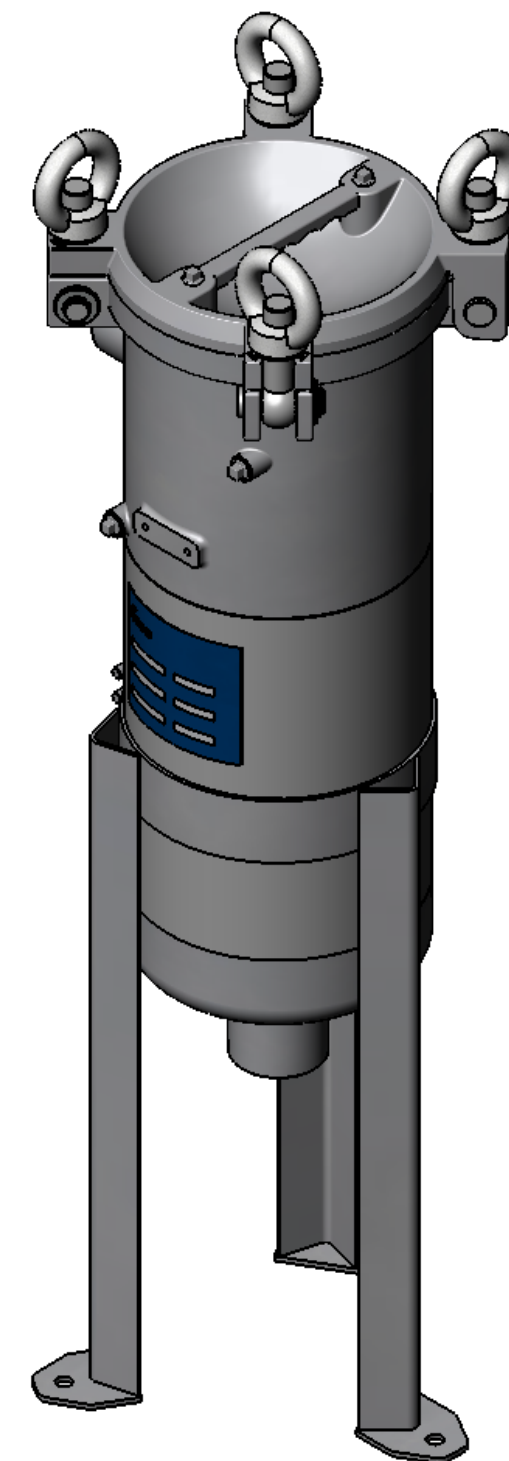


NOZZLE INDEX

Connection	Size	Type	DIN
N1	Rp 2	Inlet	DIN 2999
N2	Rp 2	Outlet	DIN 2999
N3	Rp 1/4	Vent	DIN 2999
N4	Rp 1/4	Manometer	DIN 2999
N5	Rp 1/2	Drain	DIN 2986
N6	Rp 1/4	Differential Pressure Measurement	DIN 2999
N7	Rp 1/4	Differential Pressure Measurement	DIN 2999

SPECIFICATION

Max. allow. Pressure	10 bar
Test Pressure	14,3 bar
Max. allow. Temperature	-10/+80°C
Volume	20 l
Material Housing	AISI 316
Material Gasket	O-Ring FPM
Material Bolts	Stainless Steel
Weight	28 kg



Date	13.02.2012	Name	Leekes	Type	BFOS1-10/G50-A4
				Article-No.	
				Associated Drawing:	10-1268

sigafiltration
OptimalSeparation