

# KSF-700-TL / KSF-1000-TL

## Self-Cleaning Wedge Wire Filter

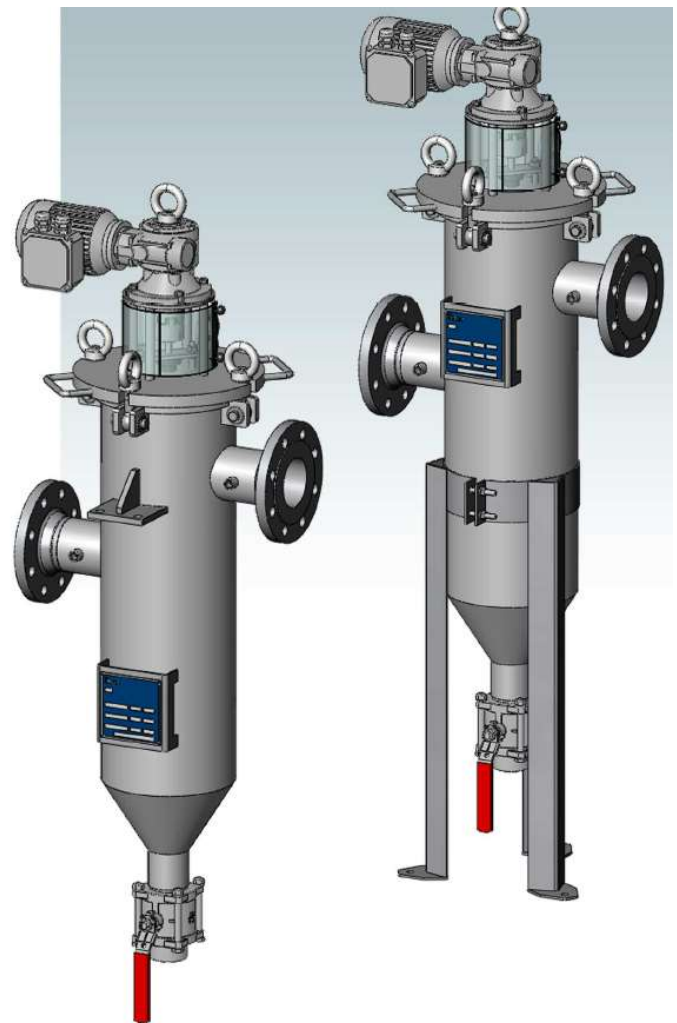
*Continuous cleaning with rotating scraper plate. **No backflush required.** Easy to remove top assembly allows for **cleaning.***

**Low maintenance, easy to operate, continuous cleaning with KSF Series self-cleaning filters.**

KSF -TL self-cleaning filters come with a removable motor, lid and scraper assembly which makes it easy to clean, sanitise or replace wedge wire element. This is also useful for food or batch applications where the unit must be cleaned after each batch. In addition, a flushing port is provided to clean the assembly in situ.

Top mounted electric motor continuously rotates a scraper on the surface of an internal wedge wire element to remove dirt. This eliminates the need for backwashing and makes these filters easy to use and maintain.

A manual drain valve can be used to remove the dirt from the vessel at regular intervals. Alternatively, an optional pneumatically operated valve with timer can be used to remove dirt automatically at timed intervals.



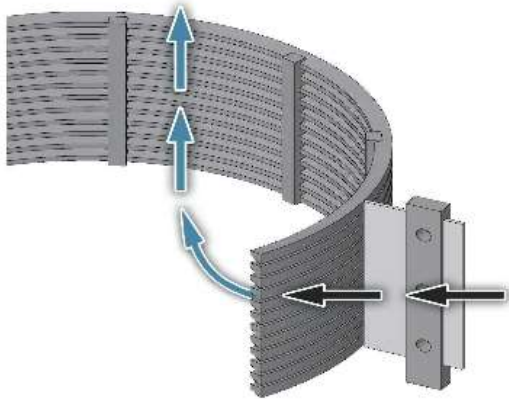
Features	
Applications	Chocolate, food and beverage products, paints, inks, adhesives, solvents, gear oil, emulsions, wastewater, sewage sludge
Closure	Bolted with eye nuts
Filter Element	Wedge wire element
Cleaning mechanism	Continuously rotating scraper plate
Purge	Manual with valve or automatic (pneumatic valve) with timer
Basket micron ratings	35 – 3000 µm

Specifications	KSF-700-TL	KSF-1000-TL
Flow rate <sup>*1</sup>	25 m <sup>3</sup> /h	35m <sup>3</sup> /h
Filter housing material	316Ti	
Wedge wire element material	316L	
Connections	2 ½" PN16 flange	3" PN16 flange
Drain	2" BSPF	
Vent	1/8" BSPF	
Flush clean connection	1" BSPF	
Gasket <sup>*2</sup>	Viton	
Max. operating pressure	10 bar	
Max. operating temperature	80°C	
Volume	15 l	26,5 l
Effective output	75 W	
Power requirement <sup>*3</sup>	400V, 50Hz	
PED compliance	Group 2 Liquids	
IP rating	IP54, Optional IP65 with EX approval	

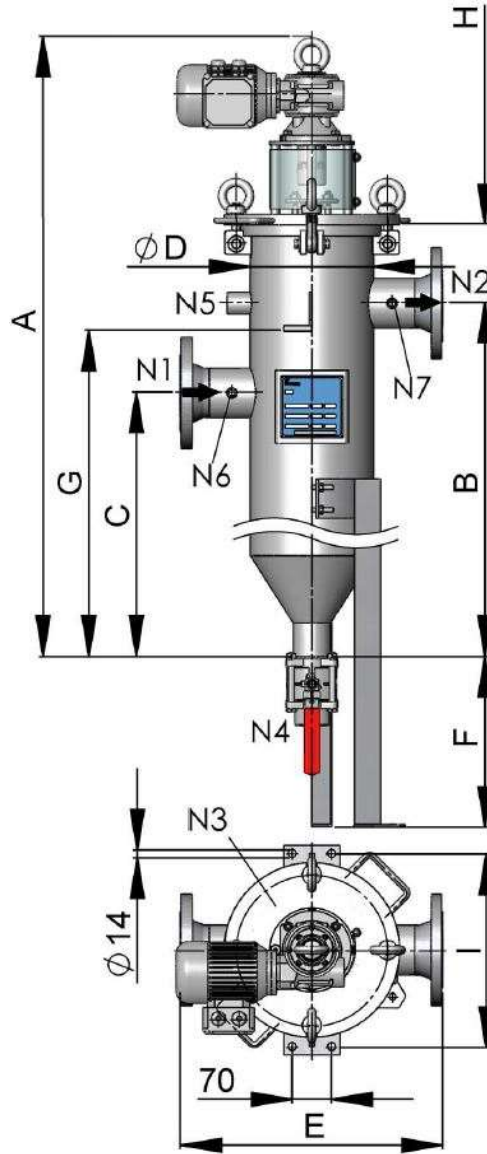
\*1 depends on application

\*2 Other materials available on request

\*3 Special voltages on request

Operation	
	<p><b>1-</b> Liquid travels from outside to inside the wedge wire element.</p> <p><b>2-</b> Dirt particles are deposited outside the element.</p> <p><b>3-</b> A Scraper plate rotated by an electric motor, continuously scrapes off dirt.</p> <p><b>4-</b> Dirt is deposited in vessel sump.</p> <p><b>5-</b> A manual drain valve can be used to remove the dirt from the vessel at regular intervals. Alternatively, an optional pneumatically operated valve with timer can be used to remove dirt automatically at timed intervals.</p>

Dimensions									
Model	A (mm)	B (mm)	C (mm)	ØD (mm)	E (mm)	F (with legs) (mm)	G (with support) (mm)	H (mm)	I (mm)
KSF-700-TL	1145	680	550	168.3	365	0-250	660	580	345
KSF-1000-TL	1200	710	560	219.1	465	0-220	660	700	420



© 2019 Siga Filtration (A Division of Siga UK Limited). All rights reserved.

Siga Filtration Logo is a trademark and service mark of Siga UK Limited. All other marks are properties of their respective owners. The contents of this publication are presented for information purposes only, and while every effort has been made to ensure their accuracy, they are not to be used as warranties or guarantees, expressed or implied, regarding the products and services described herein or their use or applicability. All sales are governed by our terms and conditions a copy of which is available on request. We reserve the right to modify or improve the designs or specifications of our products at any time without notice.

**Siga Filtration**, Unit 27 Craven Court, Glebeland Road, Camberley, Surrey, GU15 3BU, United Kingdom

E. [enquiries@sigafiltration.co.uk](mailto:enquiries@sigafiltration.co.uk)

W. [www.sigafiltration.co.uk](http://www.sigafiltration.co.uk)

T. +44 (0) 1276 583 046