

# KSF-400 / KSF-700 / KSF-1000

## Self-Cleaning Wedge Wire Filter

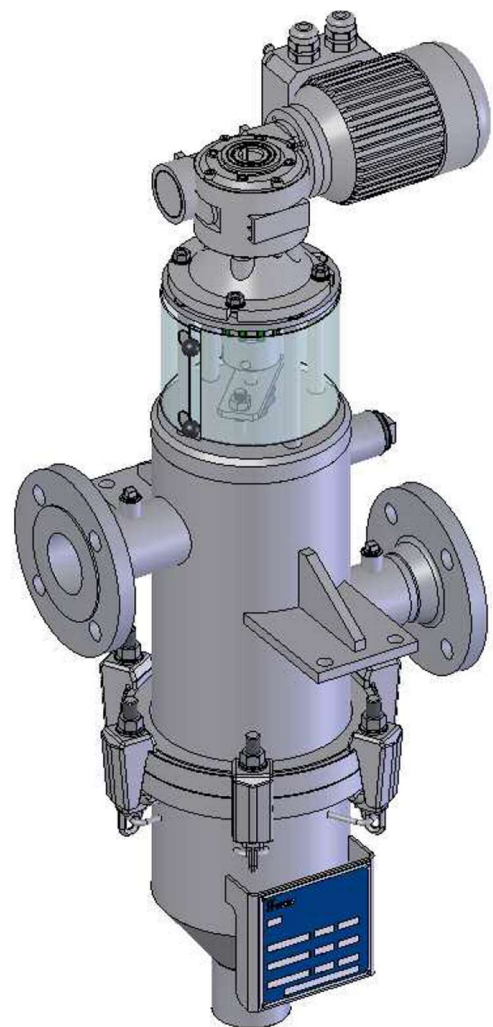
*Continuous cleaning with rotating scraper plate. **No backflush required.** Flow rate capability up to 35m<sup>3</sup>/h.*

**Low maintenance, easy to operate, continuous cleaning with KSF Series self-cleaning filters.**

KSF Series self-cleaning filters come with a top mounted electric motor which continuously rotates a scraper on the surface of an internal wedge wire element to remove dirt. This eliminates the need for backwashing and makes these filters easy to use and maintain.

An advantage of using wedge wire elements is that the V shaped profile avoids blockage by particulates.

A manual drain valve can be used to remove the dirt from the vessel at regular intervals. Alternatively, an optional pneumatically operated valve with timer can be used to remove dirt automatically at timed intervals.



| Features              |  |
|-----------------------|--|
| Applications          | Paints, varnish, inks, adhesives, solvents, gear oil, emulsions, wastewater, sewage sludge |
| Closure               | Bolted   |
| Filter Element        | Wedge wire element   |
| Cleaning mechanism    | Continuously rotating scraper plate  |
| Purge                 | Manual with valve or automatic (pneumatic valve) with timer                                |
| Basket micron ratings | 35 – 3000 µm   |

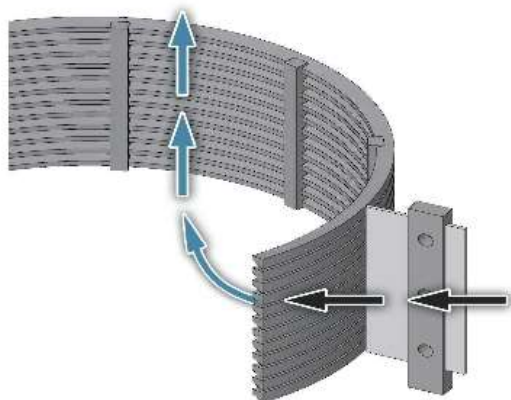
| Specifications                  | KSF-400                              | KSF-700              | KSF-1000             |
|---------------------------------|--------------------------------------|----------------------|----------------------|
| Flow rate <sup>*1</sup>         | 13 m <sup>3</sup> /h                 | 25 m <sup>3</sup> /h | 35 m <sup>3</sup> /h |
| Filter housing material         | 316Ti                                |                      |                      |
| Wedge wire element material     | 316L                                 |                      |                      |
| Connections                     | 2" BSP                               | 2 ½" PN16 flange     | 3" PN16 flange       |
| Drain                           | 2" BSP or 2" PN16 flange             |                      |                      |
| Vent                            | ¾" BSPM                              |                      |                      |
| Gasket <sup>*2</sup>            | Viton                                |                      |                      |
| Max. operating pressure         | 10 bar                               |                      |                      |
| Max. operating temperature      | 80°C                                 |                      |                      |
| Volume                          | 10.5 l                               | 12.5 l               | 22.5 l               |
| Weight                          | 41 kg                                | 47 kg                | 81 kg                |
| Effective output                | 75 W                                 |                      |                      |
| Power requirement <sup>*3</sup> | 400V, 50Hz                           |                      |                      |
| PED compliance                  | Group 2 Liquids                      |                      |                      |
| IP rating                       | IP54, Optional IP65 with EX approval |                      |                      |

\*1 depends on application

\*2 Other materials available on request

\*3 Special voltages on request

Operation



**1-** Liquid travels from outside to inside the wedge wire element.

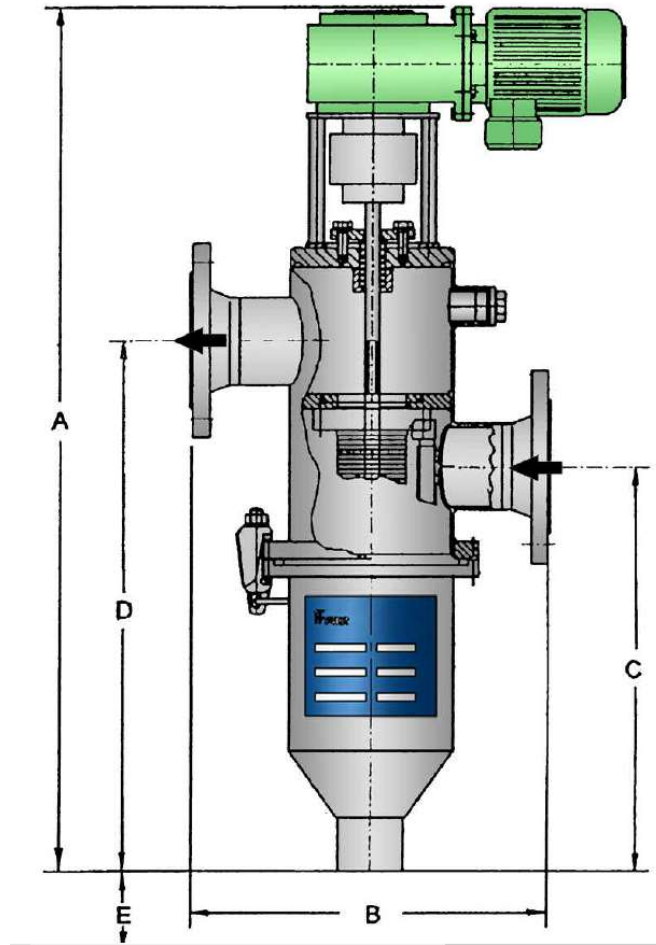
**2-** Dirt particles are deposited outside the element.

**3-** A Scraper plate rotated by an electric motor, continuously scrapes off dirt.

**4-** Dirt is deposited in vessel sump.

**5-** A manual drain valve can be used to remove the dirt from the vessel at regular intervals. Alternatively, an optional pneumatically operated valve with timer can be used to remove dirt automatically at timed intervals.

| Dimensions    |        |        |        |        |        |
|---------------|--------|--------|--------|--------|--------|
| Housing Model | A (mm) | B (mm) | C (mm) | D (mm) | E (mm) |
| KSF-400       | 865    | 365    | 370    | 500    | 300    |
| KSF-700       | 965    | 365    | 470    | 600    | 400    |
| KSF-1000      | 1030   | 465    | 520    | 670    | 400    |



© 2019 Siga Filtration (A Division of Siga UK Limited). All rights reserved.

Siga Filtration Logo is a trademark and service mark of Siga UK Limited. All other marks are properties of their respective owners. The contents of this publication are presented for information purposes only, and while every effort has been made to ensure their accuracy, they are not to be used as warranties or guarantees, expressed or implied, regarding the products and services described herein or their use or applicability. All sales are governed by our terms and conditions a copy of which is available on request. We reserve the right to modify or improve the designs or specifications of our products at any time without notice.

**Siga Filtration**, Unit 27 Craven Court, Glebeland Road, Camberley, Surrey, GU15 3BU, United Kingdom  
 E. [enquiries@sigafiltration.co.uk](mailto:enquiries@sigafiltration.co.uk)  
 W. [www.sigafiltration.co.uk](http://www.sigafiltration.co.uk)  
 T. +44 (0) 1276 583 046