

KSF-240K

Compact Self-Cleaning Wedge Wire Filter

*Compact design and
Inline connections.
Continuous cleaning with
rotating scraper plate. No
backflush required.*

Low maintenance, easy to operate, continuous cleaning with KSF Series self-cleaning filters.

KSF-240K self-cleaning filters feature a compact design and inline connections for easy installation. The unit comes with a clamped closure for quick disassembly.

Top mounted electric motor continuously rotates a scraper plate on the surface of an internal wedge wire element to remove dirt. This eliminates the need for backwashing and makes these filters easy to use and maintain. The wedge wire baskets are constructed with a V profile to avoid filter blockage and available in micron ratings from 35 – 3000 micron.

A manual drain valve can be used to remove the dirt from the vessel at regular intervals. Alternatively, an optional pneumatically operated valve with timer can be used to remove dirt automatically at timed intervals.



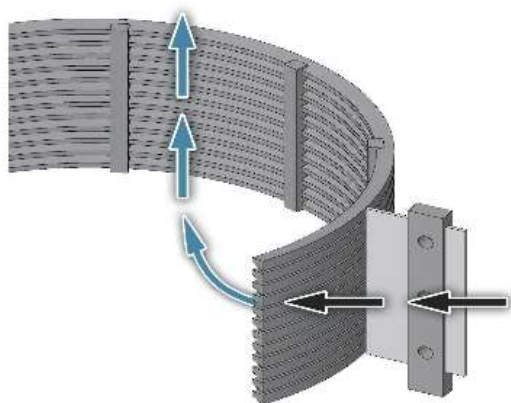
Features	
Applications	Chocolate, food and beverage products, paints, inks, adhesives, solvents, gear oil, emulsions, wastewater, sewage sludge
Closure	Quick release clamp
Filter Element	Wedge wire element
Cleaning mechanism	Continuously rotating scraper plate
Purge	Manual with valve or automatic (pneumatic valve) with timer
Basket micron ratings	35 – 3000 µm

Specifications	
Flow rate ^{*1}	3.5 m ³ /h ^{*1}
Filter housing material	304 Stainless Steel
Wedge wire element material	316L Stainless Steel
Connections	1" BSP thread
Drain	3/4" BSP thread
Vent	1/8" BSP thread
Gasket ^{*2}	Viton ^{*2}
Max. operating pressure	16 bar
Max. operating temperature	80°C
Volume	1.5 l
Weight	12kg
Effective output	20 W
Power requirement ^{*3}	400V, 50Hz
PED compliance	Group 2 Liquids
IP rating	IP54
Ex approval	Optional

*1 depends on application

*2 Other materials available on request

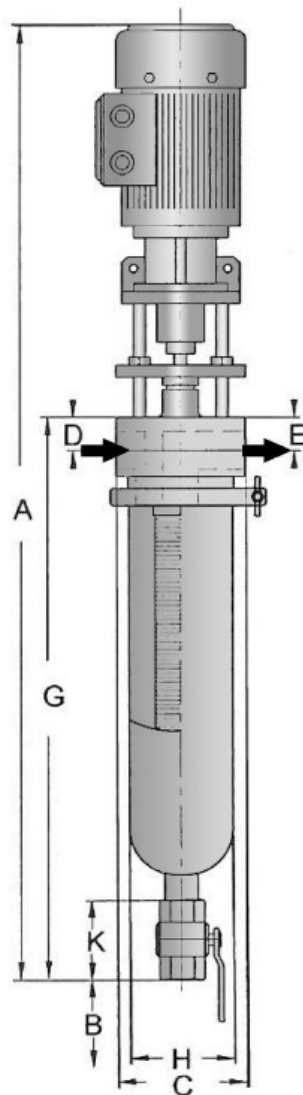
Operation



- 1-** Liquid travels from outside to inside the wedge wire element.
- 2-** Dirt particles are deposited outside the element.
- 3-** A Scraper plate rotated by an electric motor, continuously scrapes off dirt.
- 4-** Dirt is deposited in vessel sump.
- 5-** A manual drain valve can be used to remove the dirt from the vessel at regular intervals. Alternatively, an optional pneumatically operated valve with timer can be used to remove dirt automatically at timed intervals.

Dimensions

Model	A (mm)	B (mm)	C (mm)	D (mm)	E (mm)	H (mm)	G (mm)	K (mm)
KSF-240K	810	300	100	27	27	88	460	580



© 2019 Siga Filtration (A Division of Siga UK Limited). All rights reserved.

Siga Filtration Logo is a trademark and service mark of Siga UK Limited. All other marks are properties of their respective owners. The contents of this publication are presented for information purposes only, and while every effort has been made to ensure their accuracy, they are not to be used as warranties or guarantees, expressed or implied, regarding the products and services described herein or their use or applicability. All sales are governed by our terms and conditions a copy of which is available on request. We reserve the right to modify or improve the designs or specifications of our products at any time without notice.

Siga Filtration, Unit 27 Craven Court, Glebeland Road, Camberley, Surrey, GU15 3BU, United Kingdom

E. enquiries@sigafiltration.co.uk

W. www.sigafiltration.co.uk

T. +44 (0) 1276 583 046