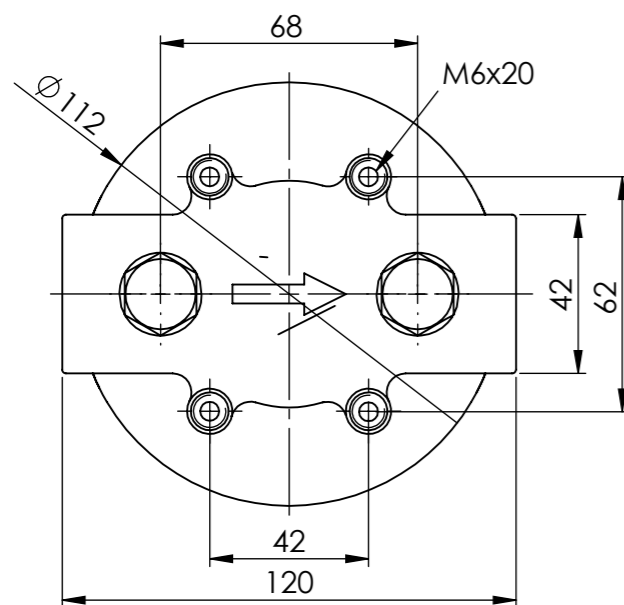
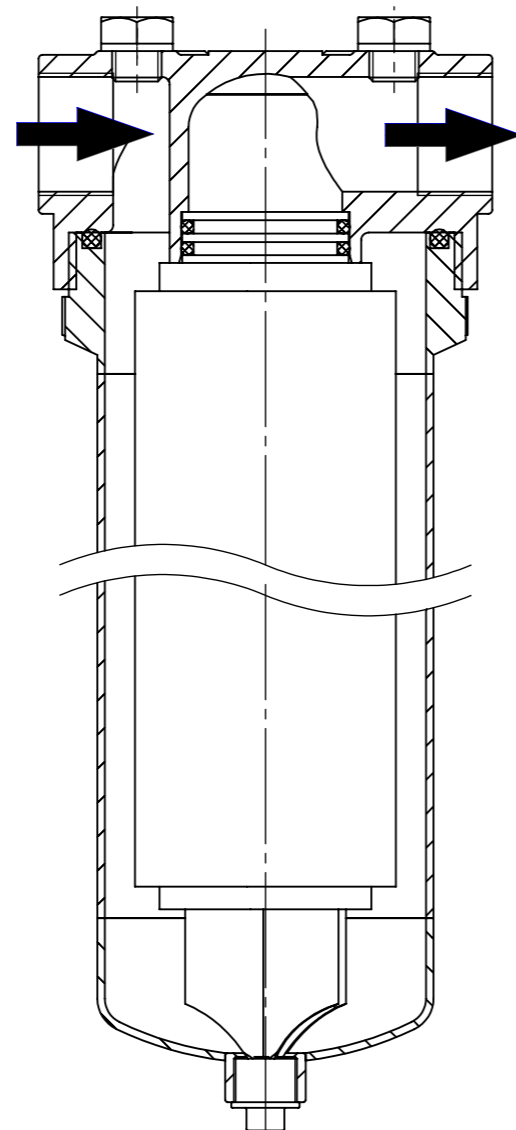
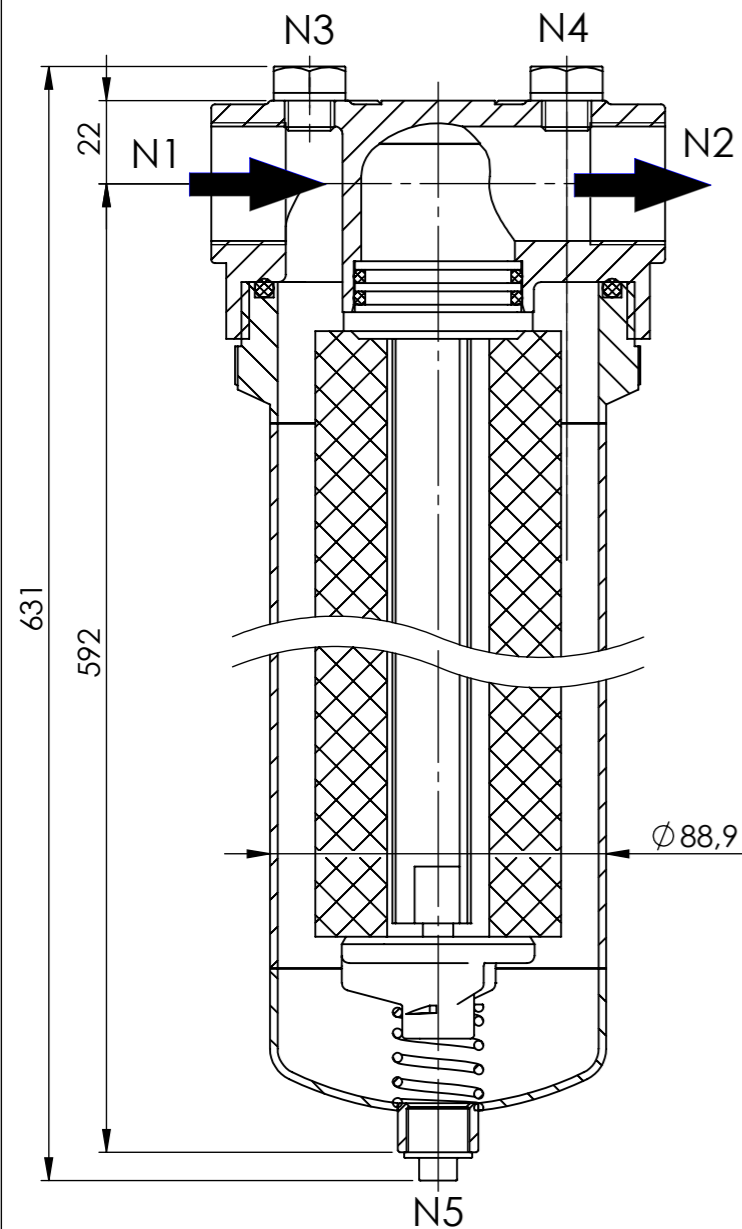


**DOE FILTER CARTRIDGE
(DOUBLE-OPEN-END)**

**ADAPTOR FILTER CARTRIDGE
(CODE 8)**

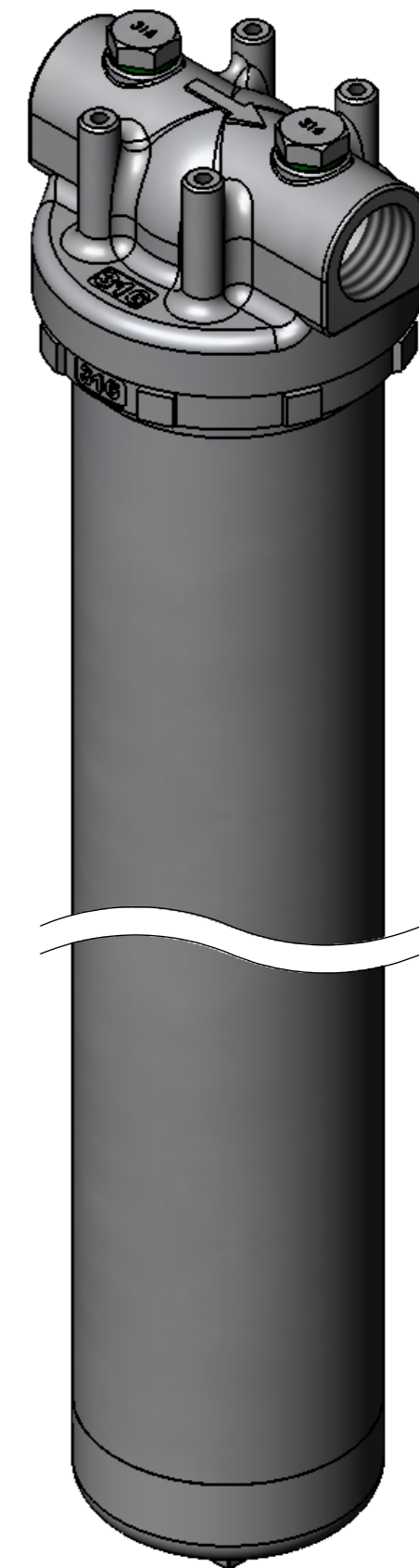


NOZZLE INDEX

| Connection | Size | Type | DIN |
|------------|--------|--------|----------|
| N1 | Rp 1 | Inlet | DIN 2999 |
| N2 | Rp 1 | Outlet | DIN 2999 |
| N3 | Rp 1/4 | Vent | DIN 2999 |
| N4 | Rp 1/4 | Vent | DIN 2999 |
| N5 | Rp 3/8 | Drain | DIN 2986 |

SPECIFICATION

| | |
|-------------------------|------------------|
| Max. allow. pressure | 25 bar |
| Max. allow. temperature | -10/+80°C |
| Volume | 3,5 l |
| Material Filter Head | AISI 304 |
| Material Filter Sump | AISI 304 |
| Material Insert | AISI 304 |
| Material Gaskets | FPM |
| DOE - Cartridge Length | 496 - 508 mm |
| Adapter Cartridges | 20 inch - CODE 8 |
| Weight | 5,0 kg |



analog fig.

| | | | | | |
|-----------------------|------------|------|---------|-------------|----------------|
| Date | 14.02.2012 | Name | Brixius | Type | 1FU2-25/25-A2F |
| Proof. | | | | | |
| Resp. | | | | | |
| Norm | | | | Article-No. | 1754122025 |
| acc. drawing: 10-1269 | | | | | Repl. for. |

SigaFiltration
Optimal Separation