

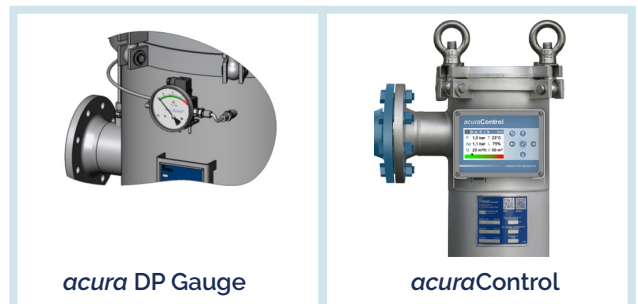
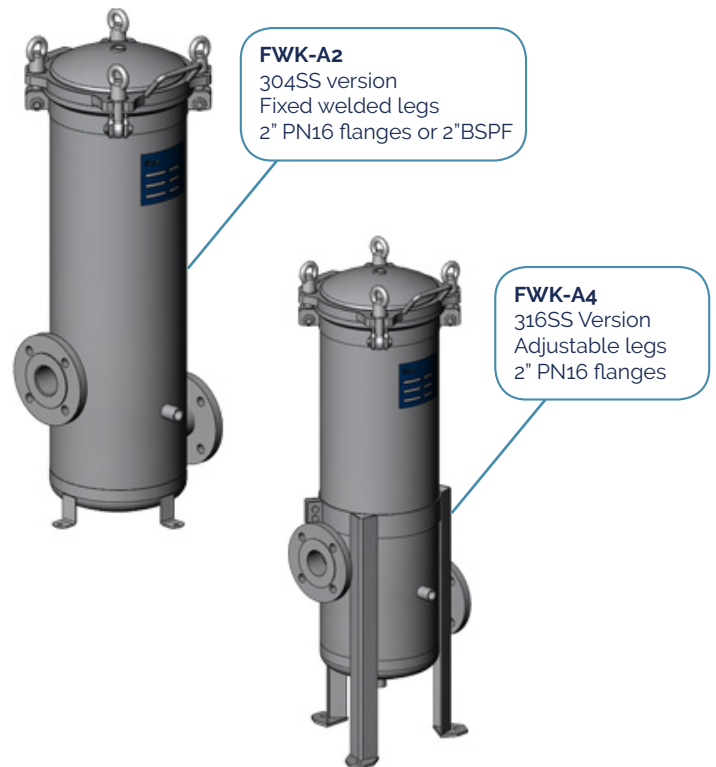
acuraLine FWK-A2/FWK-A4

Multi Cartridge Housings in SS
(Bolted closure)

Designed
to withstand
**tough operating
conditions**

acuraLine FWK series multi cartridge filter housings have been designed to withstand tough operating conditions and feature a strong bolted closure, threaded or flanged connections and can be supplied with fixed welded legs (304SS option-FWK-A2) or adjustable legs (316SS option – FWK-A4).

These housings are suitable for industry standard filter cartridges from 20" to 40" length in a multi cartridge configuration.



acura DP Gauge and acuraControl available
on Accessories page 3

Specifications

acuraLine FWK

| Features | |
|----------------------|---|
| Applications | Filtration of oils, chemicals, water, paints & CNC coolants. |
| Cartridge length | 20", 30" & 40" |
| Number of cartridges | 5 or 7 |
| Cartridge locking | Suitable for DOE or SOE (Code 3 & Code 8) filter cartridges. |
| Traceability | Identification with serial number. |
| Construction | Strong industrial design with bolted for industrial & process applications. |
| Design Code | According to AD2000. |

| Specifications | |
|------------------|--|
| Cartridge sizes | 20", 30", 40" |
| Connections | 2" PN16 or 2" BSPF (304SS version) 2" PN16 flange (316SS version) |
| Housing material | 304 or 316 Stainless Steel |
| Mounting | Fixed welded legs (304SS version) Adjustable legs (316SS version) |
| Closure | Cast hinged lid with swing bolts |
| Gasket | Viton |

| Process Fluid | |
|---------------|--|
| Process Fluid | Only suitable for liquids (Please contact sales for gas applications.) |

| Max. Allowable Working Temperature | |
|------------------------------------|----------|
| Maximum continuous | -10/80°C |

| Max. Allowable Working Pressure | |
|---------------------------------|--------|
| Operating pressure | 10 bar |

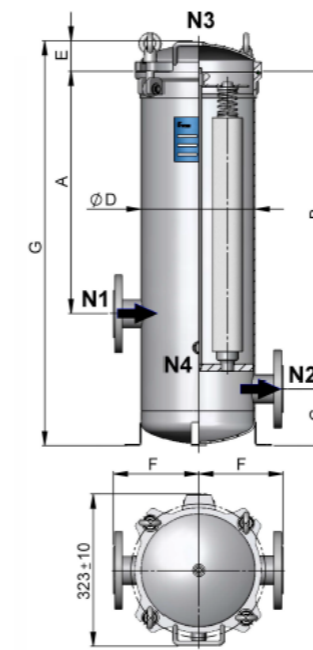
| Standard Documentation | |
|------------------------|--|
| Documentation | Installation and operating instructions Pressure test certificate |

| EU Pressure Equipment Directive 97/23/EC | |
|--|--|
| PED Compliance | Group 2 Liquids only.* * Please contact sales for other applications. |

Dimensions

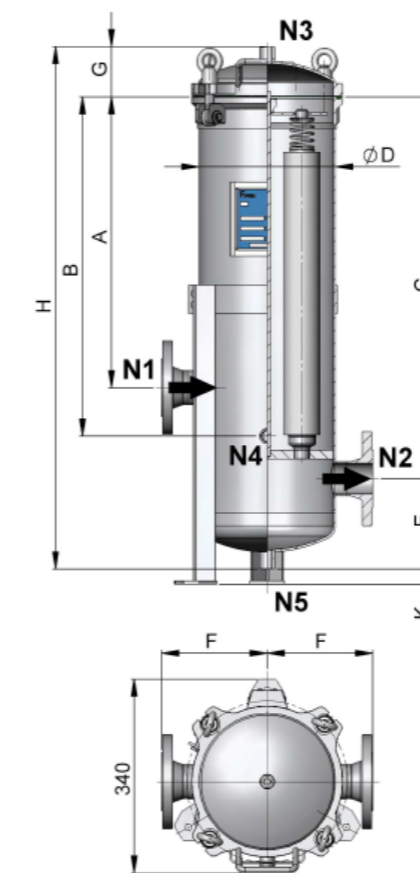
acuraLine FWK

acuraLine FWK: 304SS Version with fixed legs




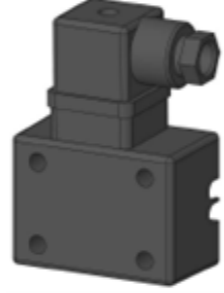

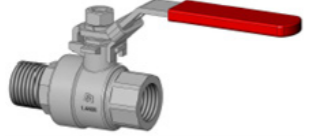



| Model | A (mm) | B (mm) | C (mm) | D (mm) | E (mm) | F (G50) (mm) | F (F50) (mm) | G (mm) |
|-------|--------|--------|--------|--------|--------|--------------|--------------|--------|
| FWK2 | 513 | 673 | 120 | Ø240 | 65 | 155 | 179 | 858 |
| FWK3 | 763 | 923 | 120 | Ø240 | 65 | 155 | 179 | 1108 |
| FWK4 | 1017 | 1177 | 120 | Ø240 | 65 | 155 | 179 | 1362 |

acuraLine FWK: 316SS Version with adjustable legs



| Model | A (mm) | B (mm) | C (mm) | D (mm) | E (mm) | F (mm) | G (mm) | H (mm) |
|-------|--------|--------|--------|--------|--------|--------|--------|--------|
| FWK2 | 505 | 590 | 665 | Ø240 | 160 | 185 | 85 | 910 |
| FWK3 | 760 | 845 | 920 | Ø240 | 160 | 185 | 85 | 1165 |

| acuraLine FWK | | | |
|--|--|--|--|
| <p>Fully assembled DP gauge - only available for FWK-A4</p>  <p>1768520600 + 9882310125</p> | <p>316SS Automatic air vent for FWK-A2 Housing</p>  <p>5199206518</p> | <p>316SS Automatic air vent for FWK-A4 Housing</p>  <p>1768520500</p> | <p>Reed contact</p>  <p>DFA1 (1 contact) 9882330001 DFA2 (2 contact) 9882330002</p> |
| <p>acuraControl Intelligent Filter Management</p>  <p>989011025</p> | <p>Drain valve for FWK-A2 housing</p>  <p>4912431124</p> | <p>0 – 10 bar pressure gauge & vent valve assembly</p>  <p>5189369137 for FWK-A2 7999999005 for FWK-A4</p> | |

Model code

| 1-Code | Number of Cartridges |
|---------|--|
| 5 | 5 cartridges |
| 7 | 7 cartridges |
| 2-Model | Product Description |
| FWK | FWK multi cartridge filter housing |
| 3-Code | Cartridge Size |
| 2 | 20" |
| 3 | 30" |
| 4 | 40" (only available on FWK-A2) |
| 4-Code | Pressure Rating |
| 10 | 10 bar |
| 5-Code | Connection size |
| F50 | 2" PN16 flange |
| G50 | 2" BSP female (only available on FWK-A2) |
| 6-Code | Material |
| A2 | 304SS |
| A4 | 316SS |
| 7-Code | Seal |
| F | FPM (Viton) – Standard |
| N | NBR |
| E | EPDM |

© 2016 Siga Filtration (A Division of Siga UK Limited). All rights reserved.

Siga Filtration Logo is a trademark and service mark of Siga UK Limited. All other marks are properties of their respective owners. The contents of this publication are presented for information purposes only, and while every effort has been made to ensure their accuracy, they are not to be used as warranties or guarantees, expressed or implied, regarding the products and services described herein or their use or applicability. All sales are governed by our terms and conditions a copy of which is available on request. We reserve the right to modify or improve the designs or specifications of our products at any time without notice.

Siga Filtration, Unit 27 Craven Court, Glebeland Road, Camberley, Surrey, GU15 3BU, United Kingdom
 E. enquiries@sigafiltration.co.uk
 W. www.sigafiltration.co.uk
 T. +44 (0) 1276 583 046