

acuraLine 1FU

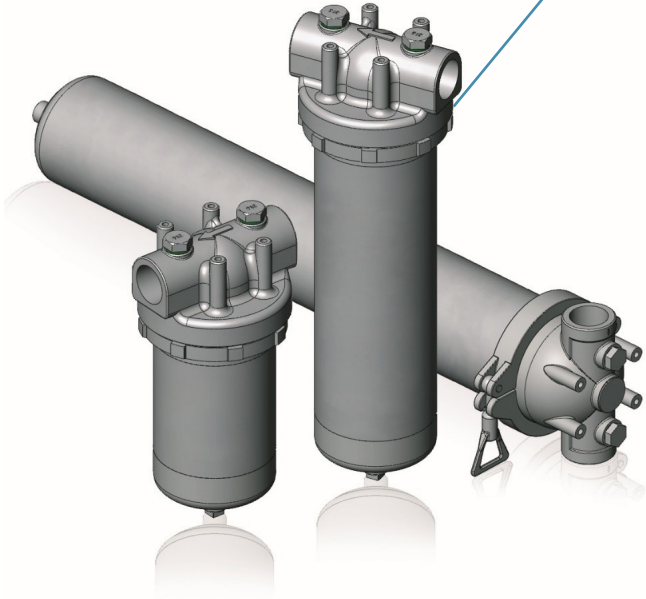
Single Cartridge Housing in SS (Threaded closure)

Industrial inline
filtration units

acuraLine 1FU Cartridge Filter Housings are industrial inline filtration units.

These filter housings feature strong Stainless Steel construction, robust threaded closure, high operating pressures of up to 25 barg and option to mount a differential pressure gauge. All 1FU filter housings are supplied with a Viton seal as standard for chemical compatibility.

Threaded closure



acura DP Gauge



acuraControl

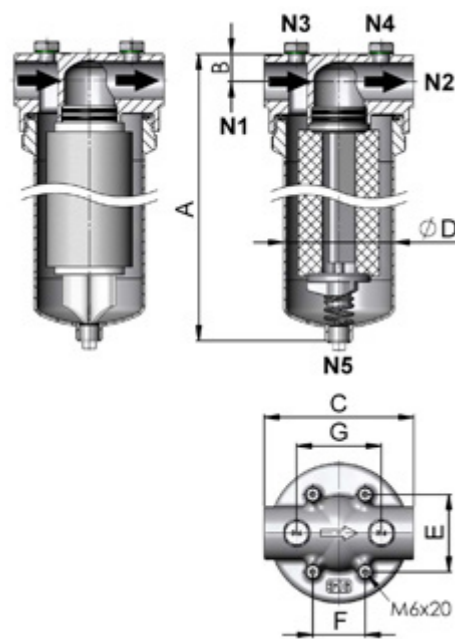
acura DP Gauge and acuraControl available on Accessories page 3

Specifications

acuraLine 1FU

Features	
Applications	Filtration of oils, chemicals, water, paints & CNC coolants.
Connections	Inline connections for easy installation.
Cartridge locking	Suitable for DOE or SOE (Code 3 & Code 8) filter cartridges.
Traceability	Identification with serial number.
Construction	Strong industrial design with threaded closure for industrial & process applications.
Design Code	According to AD2000.
Specifications	
Cartridge sizes	5", 10", 20", 30"
Connections	1" BSPF Inline
Housing material	304 or 316SS
Mounting	Optional mounting bracket.
Closure	Threaded closure.
Gasket	Viton
Process Fluid	
Process Fluid	Liquids (Please contact sales for gas applications.)
Max. Allowable Working Temperature	
Maximum continuous	-10/80°C
Max. Allowable Working Pressure	
Operating pressure	25 bar
Standard Documentation*	
Documentation	1) Installation and operating instructions 2) Pressure test certificate * All other documentation at extra cost. Please enquire before ordering.
EU Pressure Equipment Directive 97/23/EC	
PED Compliance	DGRL 2014/68/EU Art.4, §3. Group 2 Liquids only. Please contact sales for other applications

Dimensions



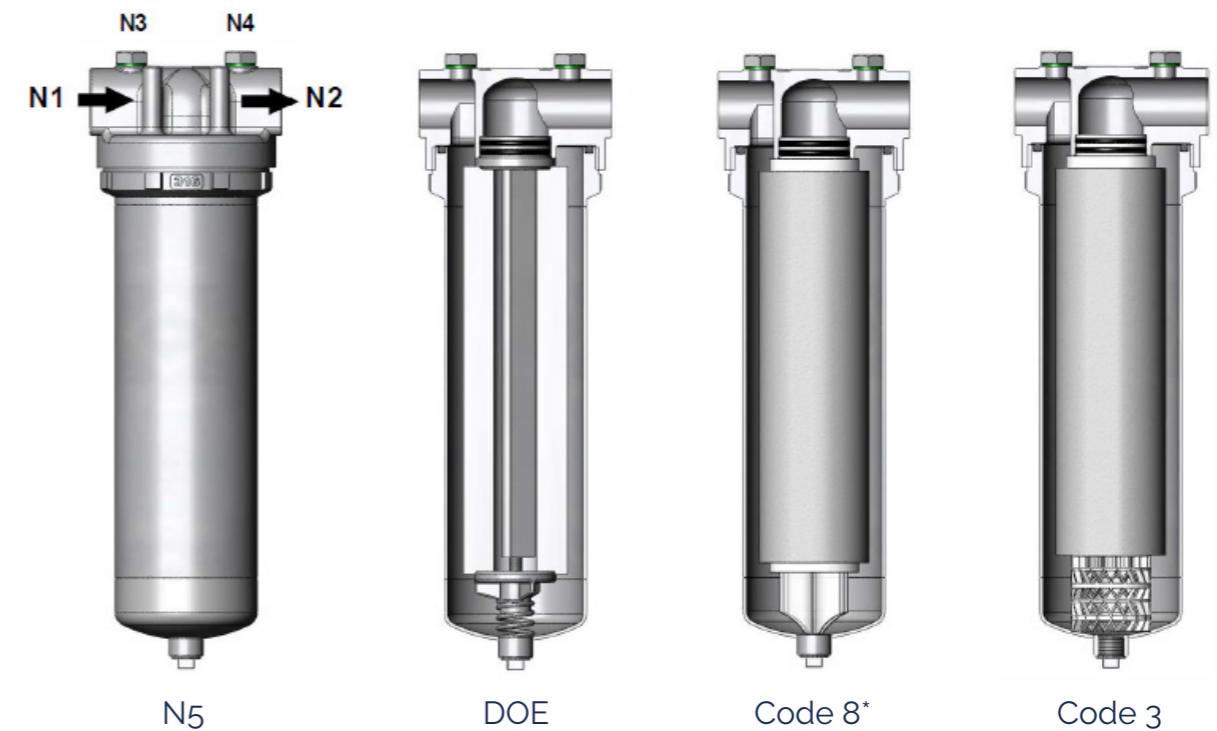
Dimension	5"	10"	20"	30"
A	230	367	615	863
B	22	22	22	22
C	120	120	120	120
ØD	88.9	88.9	88.9	88.9
E	62	62	62	62
F	42	42	42	42
G	68	68	68	68
Inlet/outlet (N1/N2)	1" BSPF	1" BSPF	1" BSPF	1" BSPF
Vent (N3/N4)	¼" BSPF	¼" BSPF	¼" BSPF	¼" BSPF
Drain (N5)	⅜" BSPF	⅜" BSPF	⅜" BSPF	⅜" BSPF

Accessories & Installation

acuraLine 1FU

acuraLine 1FU Accessories			
Distance adaptor (for code3)	Releasing spanner	Mounting bracket with screws	Fully assembled DP Gauge (left - right)
1764214000	176421000	1764120001	1764214502 + 9882310125
304SS Magnet insert and bar	316SS Pressure Gauge	316SS Drain valve	Fully assembled reed switch (order with DP Gauge)
10" - 1764321010 +1764321011 20" - 1764322010 + 1764322011	(0 - 6 bar) 4300000009 (0 - 10 bar) 4300000002 (0 - 25 bar) 4300000010	4912331322	1 contact - 9882330001 2 contact - 9882330002

acuraLine 1FU Installation



*Code 8 not available on 5".

1-Model	Product Description
1FU	acuraLine 1FU
2-Code	Cartridge Size
0	5"
1	10"
2	20"
3	30"
3-Code	Pressure Rating
25	25 bar
4-Code	Connection size
25	1" BSPF
5-Code	Material
A2	304SS
A4	316SS
6-Code	Seal
F	FPM (Viton) – Standard
N	NBR
E	EPDM

© 2016 Siga Filtration (A Division of Siga UK Limited). All rights reserved.

Siga Filtration Logo is a trademark and service mark of Siga UK Limited. All other marks are properties of their respective owners. The contents of this publication are presented for information purposes only, and while every effort has been made to ensure their accuracy, they are not to be used as warranties or guarantees, expressed or implied, regarding the products and services described herein or their use or applicability. All sales are governed by our terms and conditions a copy of which is available on request. We reserve the right to modify or improve the designs or specifications of our products at any time without notice.

Siga Filtration, Unit 27 Craven Court, Glebeld Road, Camberley, Surrey, GU15 3BU, United Kingdom
 E. enquiries@sigafiltration.co.uk
 W. www.sigafiltration.co.uk
 T. +44 (0) 1276 583 046