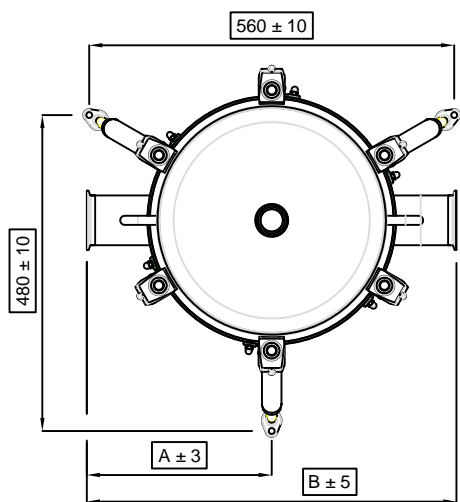
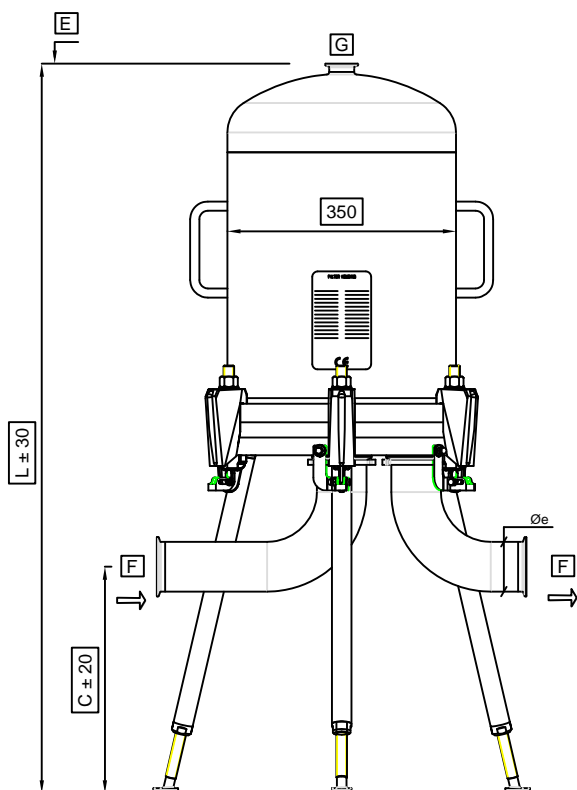


STERALine PBT - Sanitary twelve cartridge housing - no drains



F	Øe	A	B	C
DIN 11851 DN50	50.8	268	518	390
CLAMP TC 2.0"	50.8	248	478	390
DIN 11851 DN65	63.5	305	612	370
CLAMP TC 2.5"	63.5	283	566	370
DIN 11851 DN80	76.2	310	622	340
CLAMP TC 3.0"	76.2	283	566	340

TECHNICAL DATA	
VESSEL RANGE	SANITARY
NO. CARTRIDGES	12 (cod.7 - 226)
CERTIFICATION	Directive (PED) 2014/68/UE
FLUID GROUP	1 - 2 (DANGEROUS AND NOT)
HAZARD CATEGORY	FIRST
TEST PRESSURE (PT)	13 bar
VESSEL MATERIAL	AISI 316L / 1.4404
SEAL BOWL	SILICONE FDA APPROVED
SEAL BENDS	PTFE FDA APPROVED
INTERNAL FINISHING	MECHANICAL POLISHING
INTERNAL ROUGHNESS	Ra<0.6 MICRON
EXTERNAL FINISHING	MECHANICAL POLISHING
VENT CONNECTION G	CLAMP 1.5"

WORKING CONDITIONS			MAX PRESSURE bar			
FLUID GROUP	STATE	TEMPERAT.	10"	20"	30"	40"
DANGEROUS	LIQUID	0 - 40° C	9.0	9.0	9.0	9.0
DANGEROUS	LIQUID	150° C	7.0	7.0	7.0	7.0
DANGEROUS	GAS/VAPOR	150° C	1.2	0.7	0.5	0.5
NOT DANGER.	LIQUID	0 - 40° C	9.0	9.0	9.0	9.0
NOT DANGER.	LIQUID	150° C	7.0	7.0	7.0	7.0
NOT DANGER.	GAS/VAPOR	0 - 40° C	4.8	3.0	2.2	1.8
NOT DANGER.	GAS/VAPOR	150° C	4.8	3.0	2.2	1.8
INTEGRITY TEST			7.6	5.0	3.7	2.7

VESSEL TYPE	121	122	123	124
CARTRIDGES HEIGHT	10"	20"	30"	40"
L = mm	930	1180	1430	1680
E = mm	300	550	800	1050
TOTAL VESSEL VOLUME litres (V)	41	65	88	111
INTEGRITY TEST VOLUME litres (Vi)	29	44	58	73
BOWL WEIGHT kg	14	19	24	29
TOTAL NET WEIGHT kg	67	71	75	79
PACKAGING SIZE cm 60x43x	80	105	130	155
TOTAL WEIGHT PACKED kg	72	76	80	90

sigafiltration
OptimalSeparation

Unit 27 Craven Court, Glebeland Road, Camberley, Surrey, GU15 3BU, United Kingdom

Tel: +44 (0) 1276 583 046

Email: enquiries@sigafiltration.co.uk

Website: www.sigafiltration.co.uk