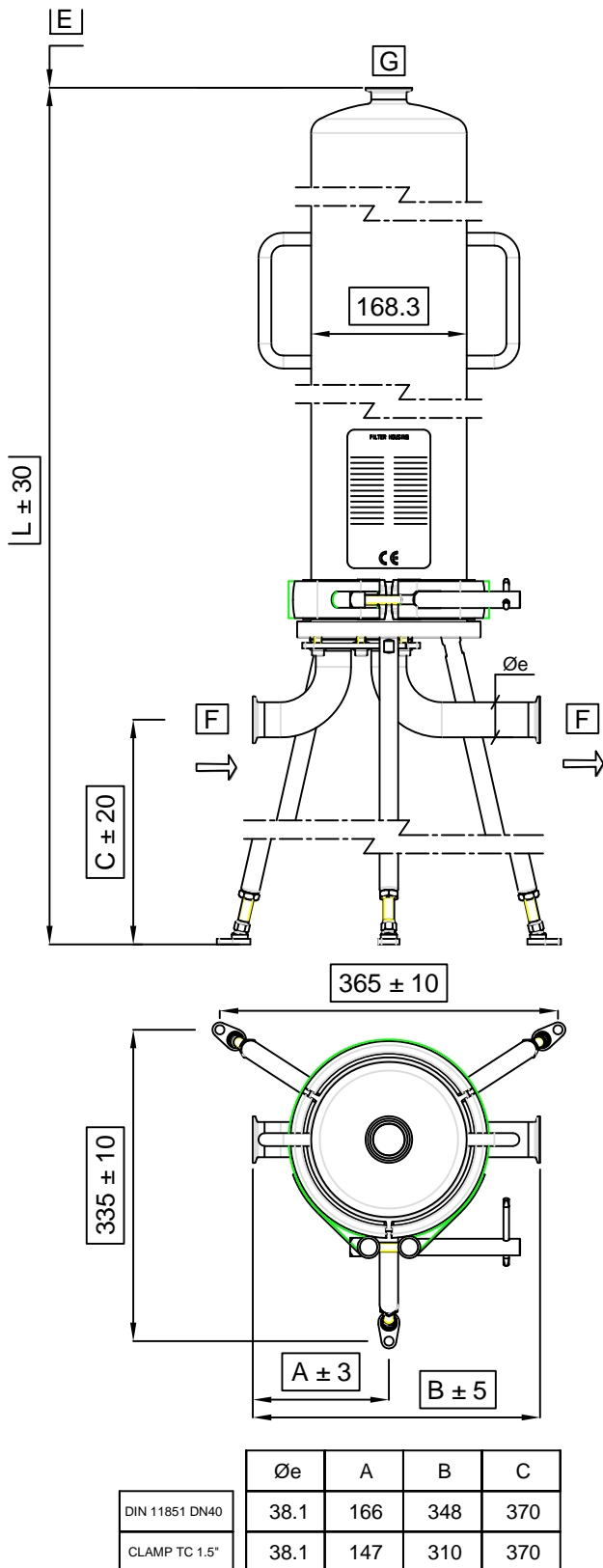


# STERALine PBT - Sanitary three cartridge housing - no drains



TECHNICAL DATA	
VESSEL RANGE	SANITARY
NO. CARTRIDGES	03 (cod.7 - 226)
CERTIFICATION	Directive (PED) 2014/68/UE
FLUID GROUP	1 - 2 (DANGEROUS AND NOT)
HAZARD CATEGORY	FIRST
TEST PRESSURE (PT)	14.5 bar
VESSEL MATERIAL	AISI 316L / 1.4404
SEAL BOWL	SILICONE FDA APPROVED
SEAL BENDS	PTFE FDA APPROVED
INTERNAL FINISHING	MECHANICAL POLISHING
INTERNAL ROUGHNESS	Ra<0.6 MICRON
EXTERNAL FINISHING	MECHANICAL POLISHING
VENT CONNECTION [G]	CLAMP 1.5"
DRAINS CONNECTION [D]	-

WORKING CONDITIONS			MAX PRESSURE bar			
FLUID GROUP	STATE	TEMPERAT.	031	032	033	034
DANGEROUS	LIQUID	0 - 40° C	10.0	10.0	10.0	10.0
DANGEROUS	LIQUID	150° C	7.5	7.5	7.5	7.5
DANGEROUS	GAS/VAPOR	0 - 40° C	6.8	3.9	2.8	2.1
DANGEROUS	GAS/VAPOR	150° C	6.8	3.9	2.8	2.1
NOT DANGER.	LIQUID	0 - 40° C	10.0	10.0	10.0	10.0
NOT DANGER.	LIQUID	150° C	7.5	7.5	7.5	7.5
NOT DANGER.	GAS/VAPOR	0 - 40° C	10.0	10.0	10.0	8.6
NOT DANGER.	GAS/VAPOR	150° C	7.5	7.5	7.5	7.5
INTEGRITY TEST			10.0	10.0	10.0	10.0

VESSEL TYPE	031	032	033	034
CARTRIDGES HEIGHT	10"	20"	30"	40"
L = mm	830	1080	1330	1580
E = mm	300	550	800	1050
TOTAL VESSEL VOLUME litres (V)	7.5	12.8	18.0	23.3
INTEGRITY TEST VOLUME litres (Vi)	4.8	7.6	10.5	13.4
BOWL WEIGHT kg	4.0	6.0	8.0	10.0
TOTAL NET WEIGHT kg	17	19	21	23
PACKAGING SIZE cm 46x32x	85	85	110	135
TOTAL WEIGHT PACKED kg	21	23	25	27

**sigafiltration**  
OptimalSeparation

Unit 27 Craven Court, Glebeland Road, Camberley, Surrey, GU15 3BU, United Kingdom

Tel: +44 (0) 1276 583 046

Email: [enquiries@sigafiltration.co.uk](mailto:enquiries@sigafiltration.co.uk)

Website: [www.sigafiltration.co.uk](http://www.sigafiltration.co.uk)