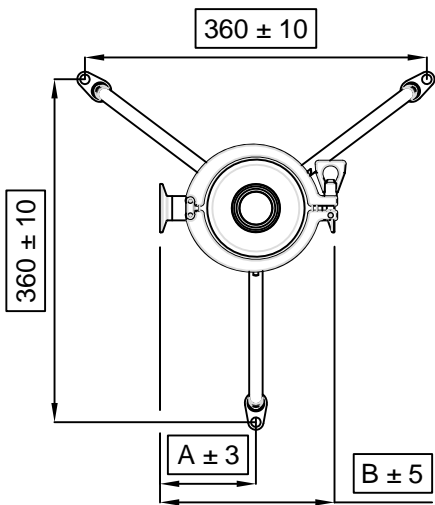
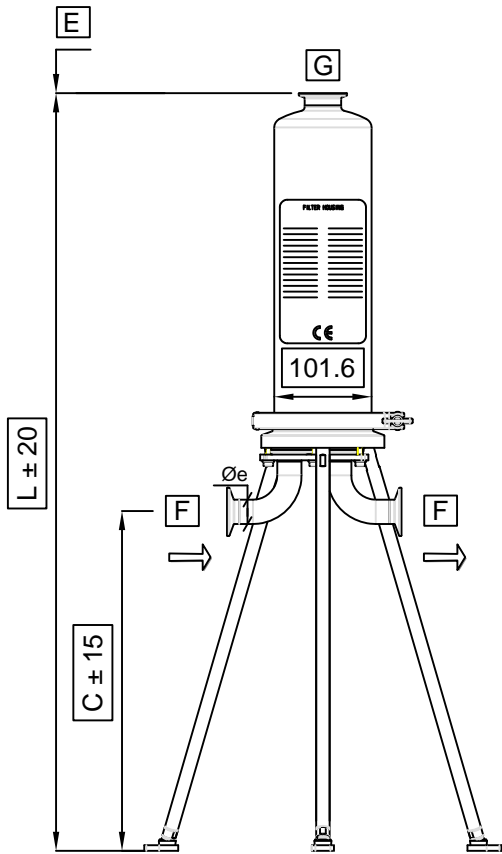


STERALine PBT - Sanitary single cartridge housing - no drains



	Øe	A	B	C
DIN 11851 DN25	25.4	115	212	365
CLAMP TC 1.0"	25.4	100	182	365
DIN 11851 DN40	38.1	140	271	345
CLAMP TC 1.5"	38.1	121	232	345

TECHNICAL DATA

VESSEL RANGE	DMS - SANITARY
NO. CARTRIDGES	01 (cod.7 - 226)
CERTIFICATION	Directive (PED) 2014/68/UE
FLUID GROUP	1 - 2 (DANGEROUS AND NOT)
HAZARD CATEGORY	FIRST
TEST PRESSURE (PT)	14.5 bar
VESSEL MATERIAL	AISI 316L / 1.4404
SEAL BOWL	SILICONE FDA APPROVED
SEAL BENDS	PTFE FDA APPROVED
INTERNAL FINISHING	MECHANICAL POLISHING
INTERNAL ROUGHNESS	Ra<0.6 MICRON
EXTERNAL FINISHING	MECHANICAL POLISHING
VENT CONNECTION [G]	CLAMP 1.5"

WORKING CONDITIONS			MAX PRESSURE bar			
FLUID GROUP	STATE	TEMPERAT.	011	012	013	014
DANGEROUS	LIQUID	0 - 40° C	10.0	10.0	10.0	10.0
DANGEROUS	LIQUID	150° C	7.5	7.5	7.5	7.5
DANGEROUS	GAS/VAPOR	0 - 40° C	10.0	10.0	7.4	5.8
DANGEROUS	GAS/VAPOR	150° C	7.5	7.5	7.4	5.8
NOT DANGER.	LIQUID	0 - 40° C	10.0	10.0	10.0	10.0
NOT DANGER.	LIQUID	150° C	7.5	7.5	7.5	7.5
NOT DANGER.	GAS/VAPOR	0 - 40° C	10.0	10.0	10.0	10.0
NOT DANGER.	GAS/VAPOR	150° C	7.5	7.5	7.5	7.5
INTEGRITY TEST			10.0	10.0	10.0	10.0

VESSEL TYPE	011	012	013	014
CARTRIDGES HEIGHT	10"	20"	30"	40"
L = mm	790	1040	1290	1540
E = mm	300	550	800	1050
TOTAL VESSEL VOLUME litres (V)	2.9	4.7	6.6	8.5
INTEGRITY TEST VOLUME litres (Vi)	1.9	3.0	4.1	5.2
BOWL WEIGHT kg	1.9	3.2	4.5	5.8
TOTAL NET WEIGHT kg	6.8	8.0	9.2	10.4
PACKAGING SIZE cm 31x22x	56	81	106	130
TOTAL WEIGHT PACKED kg	9	10	11	12

sigafiltration
OptimalSeparation

Unit 27 Craven Court, Glebeland Road, Camberley, Surrey, GU15 3BU, United Kingdom

Tel: +44 (0) 1276 583 046

Email: enquiries@sigafiltration.co.uk

Website: www.sigafiltration.co.uk