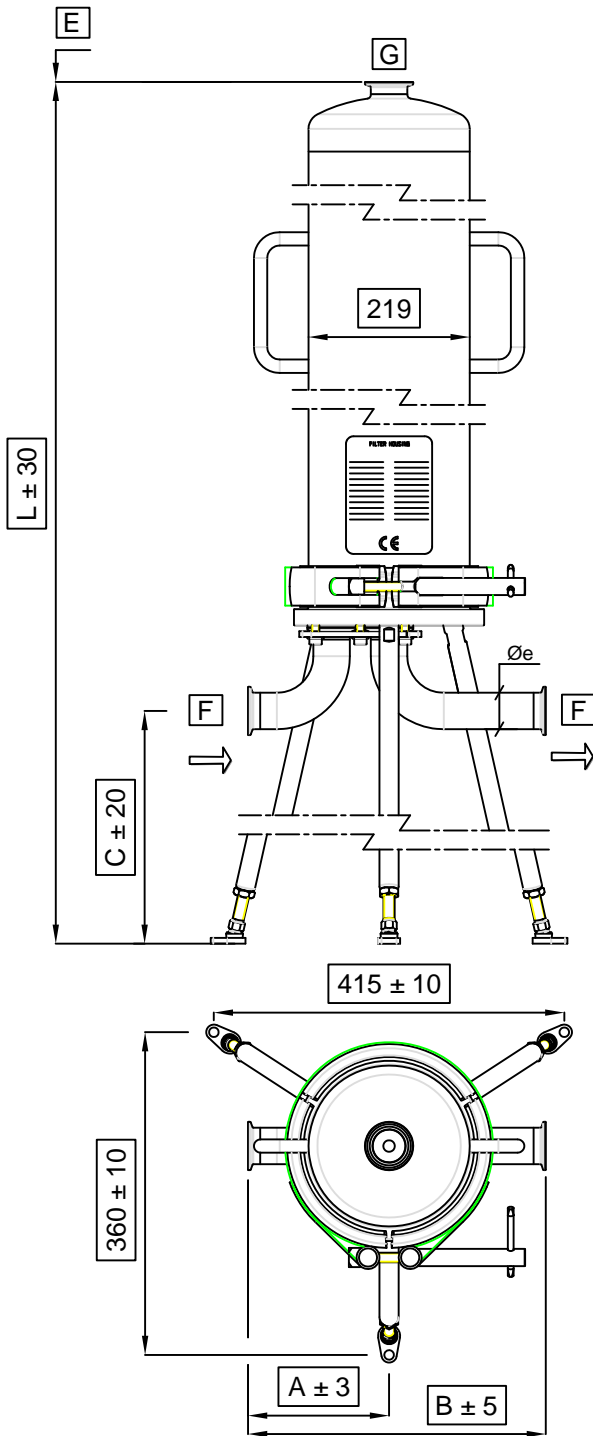


STERALine PBT - Sanitary Filter Housing - 8 round - no drains



| F | Øe | A | B | C |
|----------------|------|-----|-----|-----|
| DIN 11851 DN40 | 38.1 | 187 | 375 | 370 |
| CLAMP TC 1.5" | 38.1 | 166 | 330 | 370 |
| DIN 11851 DN50 | 50.8 | 217 | 417 | 340 |
| CLAMP TC 2.0" | 50.8 | 195 | 373 | 340 |

| TECHNICAL DATA | |
|---------------------|----------------------------|
| VESSEL RANGE | SANITARY |
| NO. CARTRIDGES | 05 (cod.7 - 226) |
| CERTIFICATION | Directive (PED) 2014/68/UE |
| FLUID GROUP | 1 - 2 (DANGEROUS AND NOT) |
| HAZARD CATEGORY | FIRST |
| TEST PRESSURE (PT) | 14.5 bar |
| VESSEL MATERIAL | AISI 316L / 1.4404 |
| SEAL BOWL | SILICONE FDA APPROVED |
| SEAL BENDS | PTFE FDA APPROVED |
| INTERNAL FINISHING | MECHANICAL POLISHING |
| INTERNAL ROUGHNESS | Ra<0.6 MICRON |
| EXTERNAL FINISHING | MECHANICAL POLISHING |
| VENT CONNECTION [G] | CLAMP 1.5" |

| WORKING CONDITIONS | | | MAX PRESSURE bar | | | |
|--------------------|-----------|-----------|------------------|------|------|------|
| FLUID GROUP | STATE | TEMPERAT. | 051 | 052 | 053 | 054 |
| DANGEROUS | LIQUID | 0 - 40° C | 10.0 | 10.0 | 10.0 | 10.0 |
| DANGEROUS | LIQUID | 150° C | 7.5 | 7.5 | 7.5 | 7.5 |
| DANGEROUS | GAS/VAPOR | 150° C | 4.5 | 2.4 | 1.7 | 1.3 |
| NOT DANGER. | LIQUID | 0 - 40° C | 10.0 | 10.0 | 10.0 | 10.0 |
| NOT DANGER. | LIQUID | 150° C | 7.5 | 7.5 | 7.5 | 7.5 |
| NOT DANGER. | GAS/VAPOR | 0 - 40° C | 10.0 | 9.9 | 6.8 | 5.2 |
| NOT DANGER. | GAS/VAPOR | 150° C | 7.5 | 7.5 | 6.8 | 5.2 |
| INTEGRITY TEST | | | 10.0 | 10.0 | 10.0 | 9.1 |

| VESSEL TYPE | 051 | 052 | 053 | 054 |
|-----------------------------------|------|------|------|------|
| CARTRIDGES HEIGHT | 10" | 20" | 30" | 40" |
| L = mm | 830 | 1080 | 1330 | 1580 |
| E = mm | 300 | 550 | 800 | 1050 |
| TOTAL VESSEL VOLUME litres (V) | 11.0 | 20.0 | 29.1 | 38.2 |
| INTEGRITY TEST VOLUME litres (Vi) | 6.0 | 11.2 | 16.6 | 21.7 |
| BOWL WEIGHT kg | 5 | 8 | 10 | 12 |
| TOTAL NET WEIGHT kg | 22 | 25 | 27 | 29 |
| PACKAGING SIZE cm 52x38x | 66 | 91 | 116 | 140 |
| TOTAL WEIGHT PACKED kg | 25 | 28 | 30 | 32 |

sigafiltration
OptimalSeparation

Unit 27 Craven Court, Glebeland Road, Camberley, Surrey, GU15 3BU, United Kingdom

Tel: +44 (0) 1276 583 046

Email: enquiries@sigafiltration.co.uk

Website: www.sigafiltration.co.uk