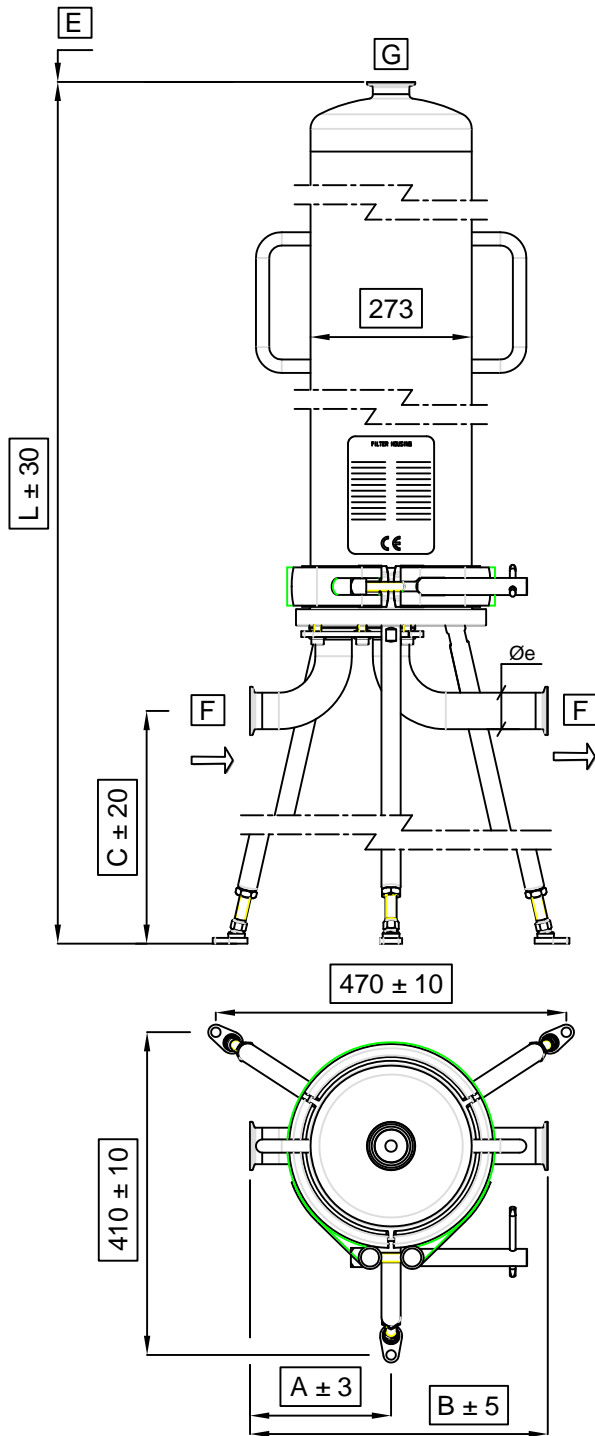


STERALine PBT - Sanitary eight cartridge housing - no drains



F	Øe	A	B	C
DIN 11851 DN50	50.8	238	438	340
CLAMP TC 2.0"	50.8	217	394	340
DIN 11851 DN65	63.5	272	522	310
CLAMP TC 2.5"	63.5	246	472	310

TECHNICAL DATA	
VESSEL RANGE	SANITARY
NO. CARTRIDGES	08 (cod.7 - 226)
CERTIFICATION	Directive (PED) 2014/68/EU
FLUID GROUP	1 - 2 (DANGEROUS AND NOT)
HAZARD CATEGORY	FIRST
TEST PRESSURE (PT)	14.5 bar
VESSEL MATERIAL	AISI 316L / 1.4404
SEAL BOWL	SILICONE FDA APPROVED
SEAL BENDS	PTFE FDA APPROVED
INTERNAL FINISHING	MECHANICAL POLISHING
INTERNAL ROUGHNESS	Ra<0.6 MICRON
EXTERNAL FINISHING	MECHANICAL POLISHING
VENT CONNECTION [G]	CLAMP 1.5"

WORKING CONDITIONS			MAX PRESSURE bar			
FLUID GROUP	STATE	TEMPERAT.	081	082	083	084
DANGEROUS	LIQUID	0 - 40° C	10.0	10.0	10.0	10.0
DANGEROUS	LIQUID	150° C	7.5	7.5	7.5	7.5
DANGEROUS	GAS/VAPOR	150° C	2.3	1.4	1.0	0.7
NOT DANGER.	LIQUID	0 - 40° C	10.0	10.0	10.0	10.0
NOT DANGER.	LIQUID	150° C	7.5	7.5	7.5	7.5
NOT DANGER.	GAS/VAPOR	0 - 40° C	9.4	5.6	4.0	3.1
NOT DANGER.	GAS/VAPOR	150° C	7.5	5.6	4.0	3.1
INTEGRITY TEST			10.0	9.0	6.6	5.2

VESSEL TYPE	081	082	083	084
CARTRIDGES HEIGHT	10"	20"	30"	40"
L = mm	870	1120	1370	1620
E = mm	300	550	800	1050
TOTAL VESSEL VOLUME litres (V)	21.4	35.6	49.8	64
INTEGRITY TEST VOLUME litres (Vi)	13.4	21.6	29.8	38
BOWL WEIGHT kg	6.5	10	13	16
TOTAL NET WEIGHT kg	28.5	32	35	38
PACKAGING SIZE cm 57x43x	71	96	121	146
TOTAL WEIGHT PACKED kg	30	36	40	44

sigafiltration
OptimalSeparation

Unit 27 Craven Court, Glebeland Road, Camberley, Surrey, GU15 3BU, United Kingdom

Tel: +44 (0) 1276 583 046

Email: enquiries@sigafiltration.co.uk

Website: www.sigafiltration.co.uk