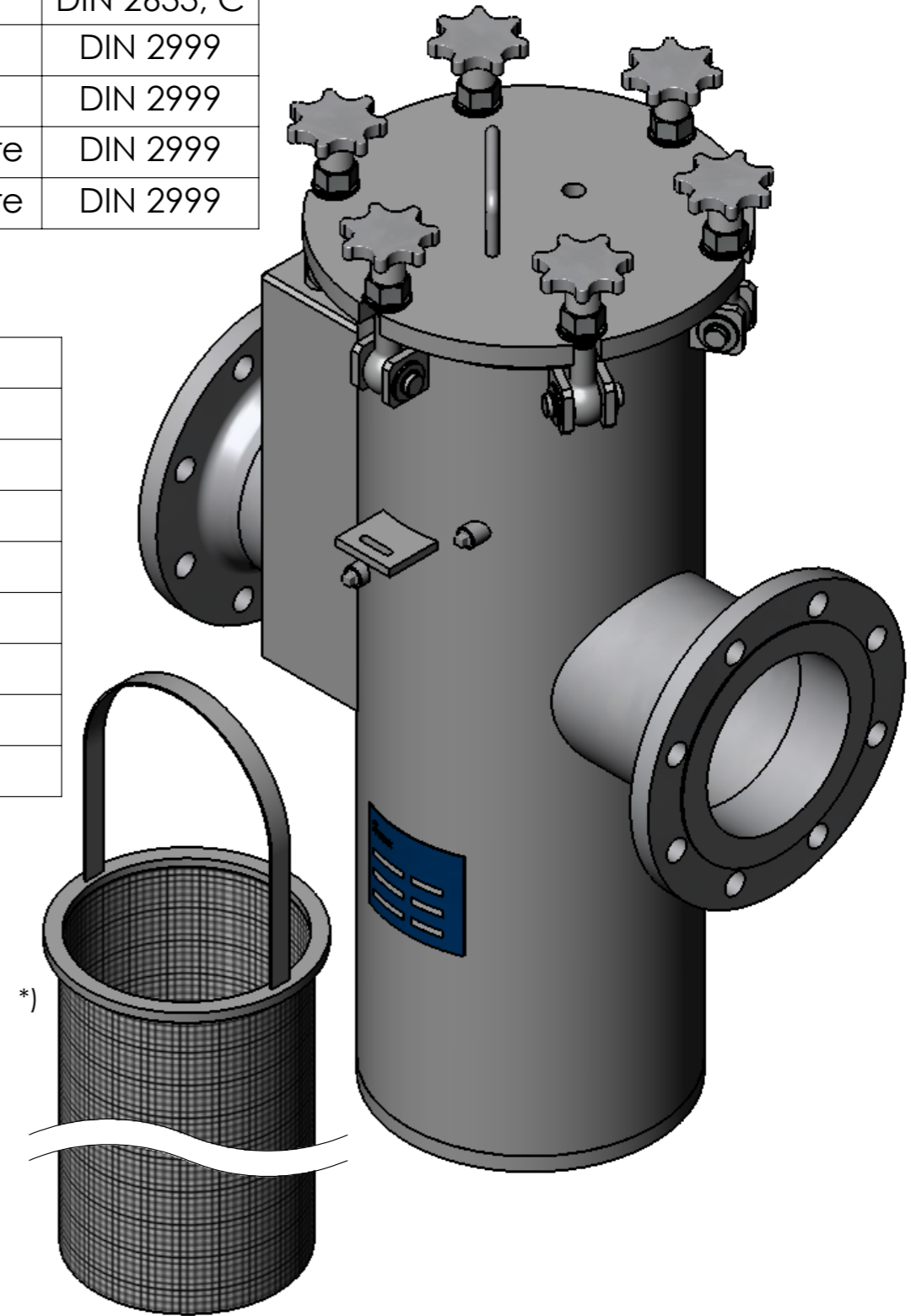


NOZZLE INDEX

Connection	Size	Type	DIN
N1	DN 150 PN16	Inlet	DIN 2633, C
N2	DN 150 PN16	Outlet	DIN 2633, C
N3	Rp 3/8	Vent	DIN 2999
N4	Rp 3/4	Drain	DIN 2999
N5	Rp 1/4	Diff. pressure	DIN 2999
N6	Rp 1/4	Diff. pressure	DIN 2999

SPECIFICATION

Max. pressure	10 bar
Test pressure	14,3 bar
Max. temperature	-10/+80°C
Volume	47 l
Material housing	AISI 304
Material gasket	O-Ring FPM
Material bolts	stainless steel
Weight	74 kg
* filter basket against filter mesh - optional	



Date	10.08.2009	Name	Brixius	Type	SF-IL-27-10/F150-A2
				Articel-No.	5202863150
				acc. Drawing:	10-1226 Rev.0