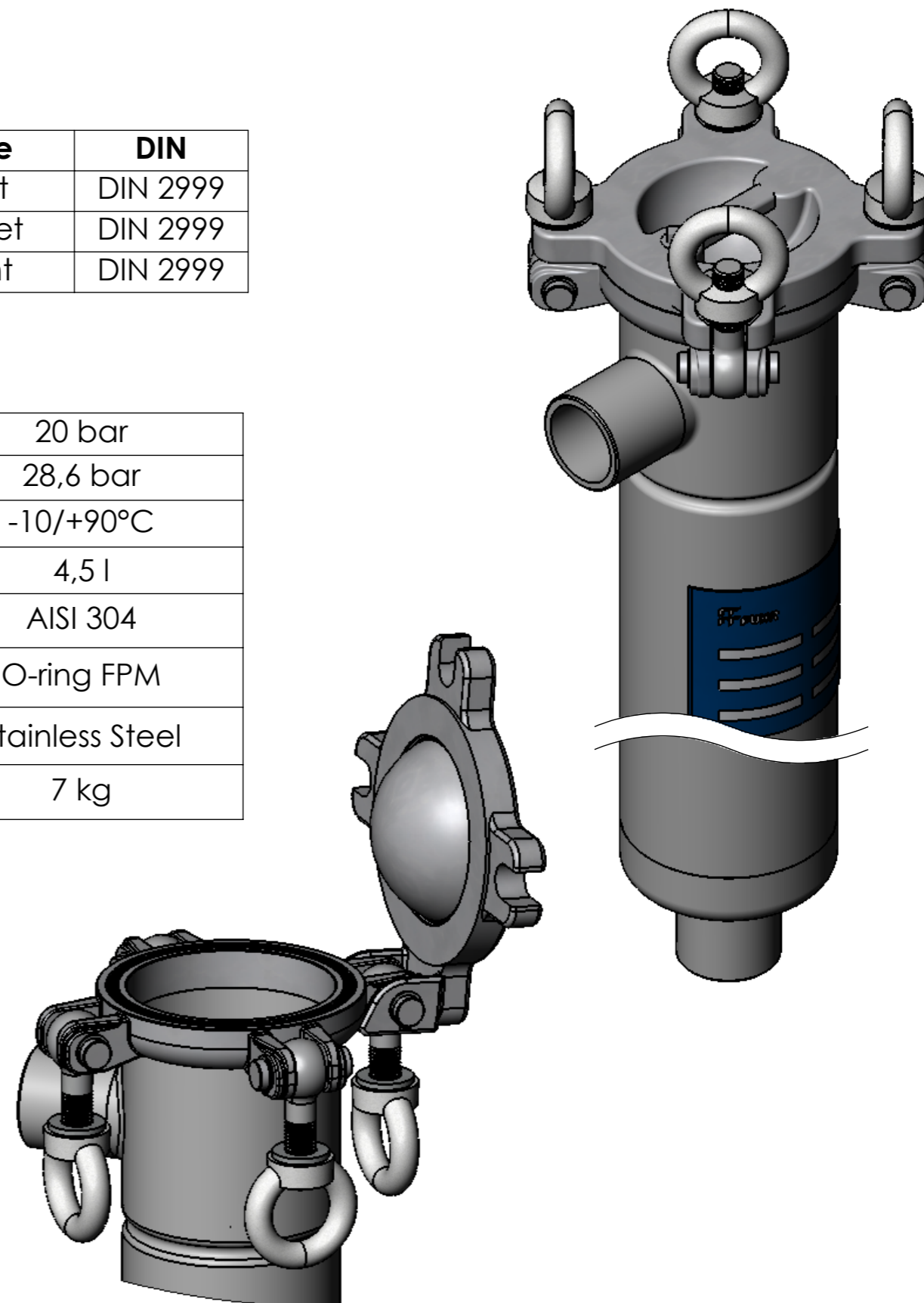


NOZZLE INDEX

Connection	Size	Type	DIN
N1	Rp 1 1/2	Inlet	DIN 2999
N2	Rp 1 1/2	Outlet	DIN 2999
N3	Rp 1/4	Vent	DIN 2999

SPECIFICATION

Max. allo. pressure	20 bar
Test pressure	28,6 bar
Max. allow. temperature	-10/+90°C
Volume	4,5 l
Material housing	AISI 304
Material gasket	O-ring FPM
Material bolts	Stainless Steel
Weight	7 kg



Date	02.04.2015	Name	Neubauer	Type	ALSI4-20/G40-B2
				Articel-No.	
				acc. drawing.:	10-1432
				replacement for:	