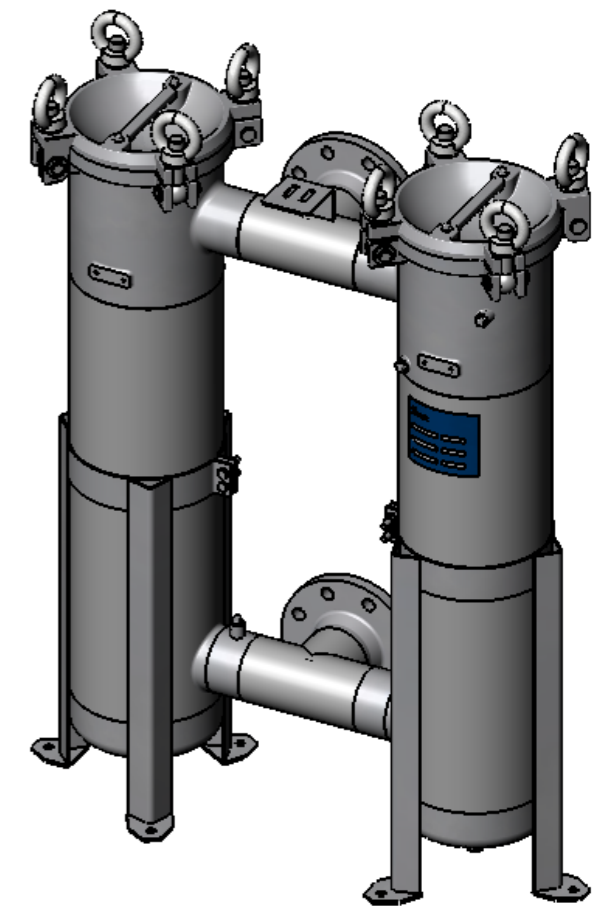


NOZZLE INDEX

| Connection | Size | Type | DIN |
|------------|-------------|-----------------------------------|-------------|
| N1 | DN 80 PN 16 | Inlet | DIN 2633, C |
| N2 | DN 80 PN 16 | Outlet | DIN 2633, C |
| N3 | Rp 1/4 | Vent | DIN 2999 |
| N4 | Rp 1/4 | Manometer | DIN 2999 |
| N5 | Rp 1/2 | Drain | DIN 2986 |
| N6 | Rp 1/4 | Differential Pressure Measurement | DIN 2999 |
| N7 | Rp 1/4 | Differential Pressure Measurement | DIN 2999 |

SPECIFICATION

| | |
|----------------------|-----------------|
| Max. allow. Pressure | 10 bar |
| Test Pressure | 14,3 bar |
| Max. allow. Temp. | -10/+80°C |
| Volume | 68 l |
| Material Housing | AISI 304 |
| Material Gasket | O-Ring FPM |
| Material Bolts | Stainless Steel |
| Weight | 79 kg |



| | | | | | |
|------|------------|------|--------|---------------------|-------------------|
| Date | 14.02.2012 | Name | Leekes | Type | 2-BFOS2-10/F80-A2 |
| | | | | | |
| | | | | Article-No. | 5175197800 |
| | | | | Associated Drawing: | 10-1311 |