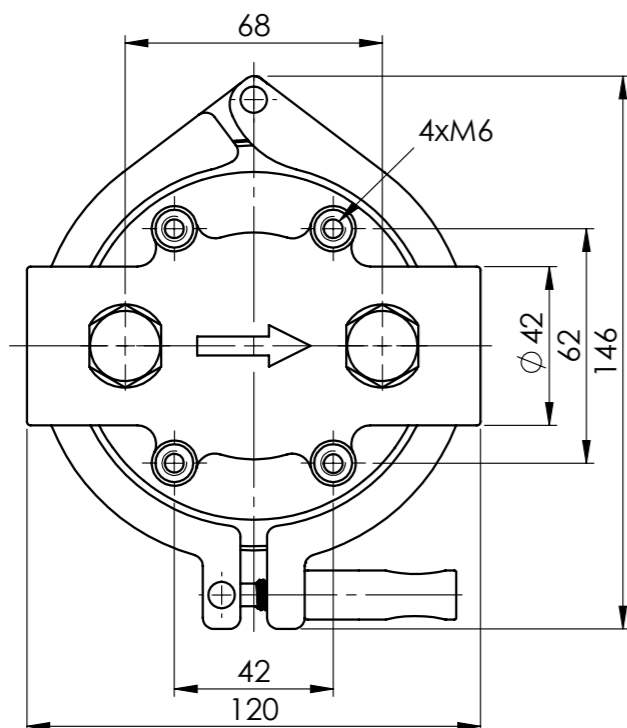
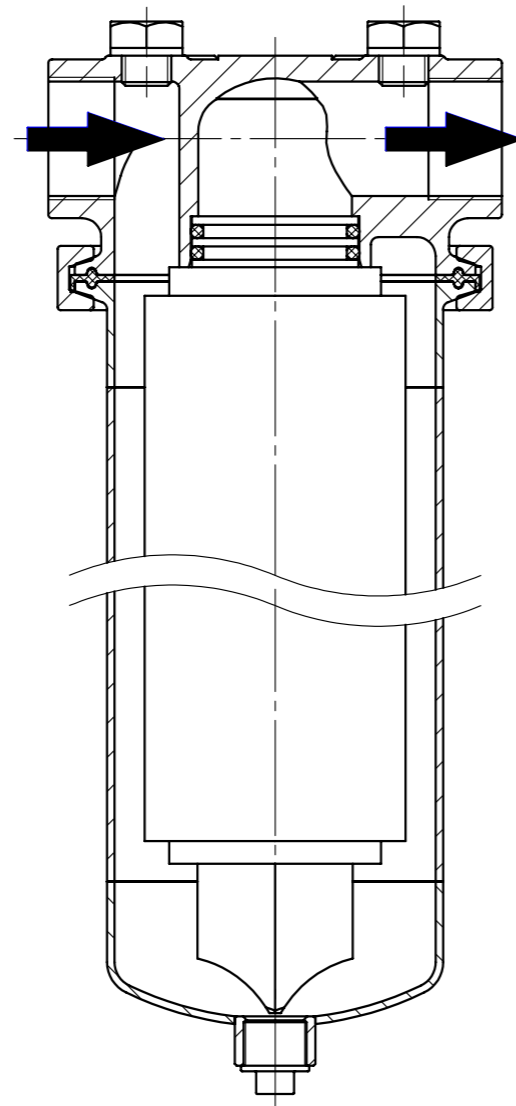
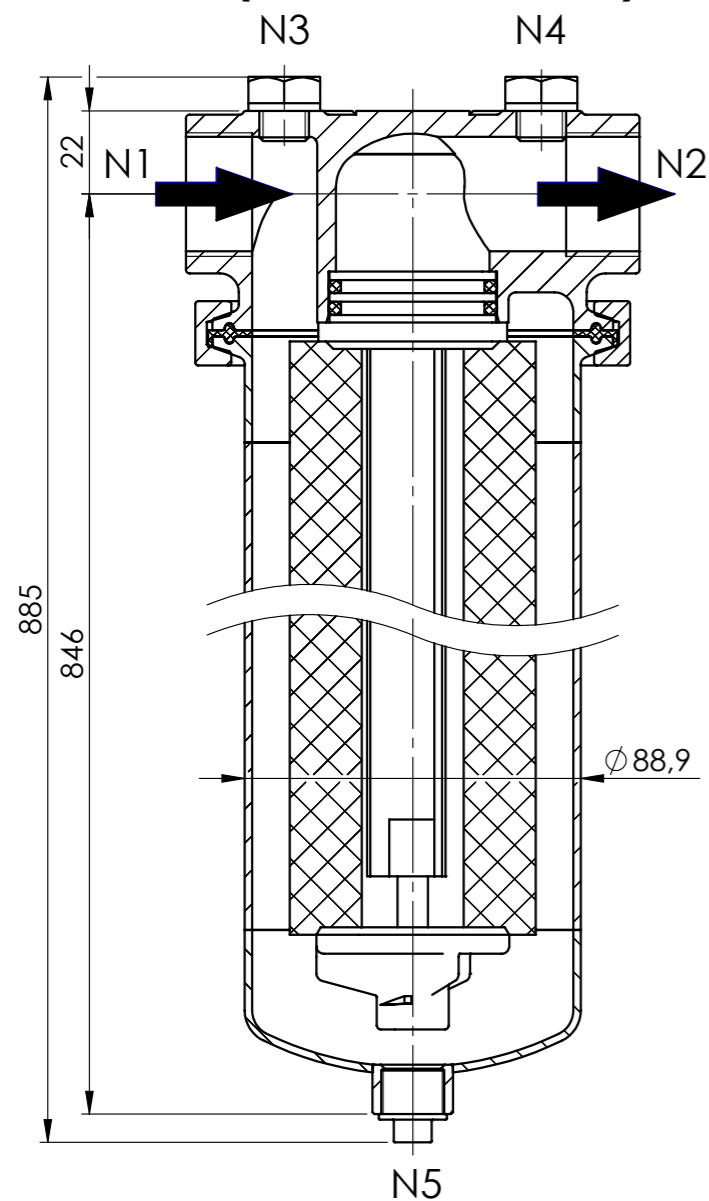


**DOE FILTER CARTRIDGE  
(DOUBLE-OPEN-END)**

**ADAPTOR FILTER CARTRIDGE  
(CODE 8)**

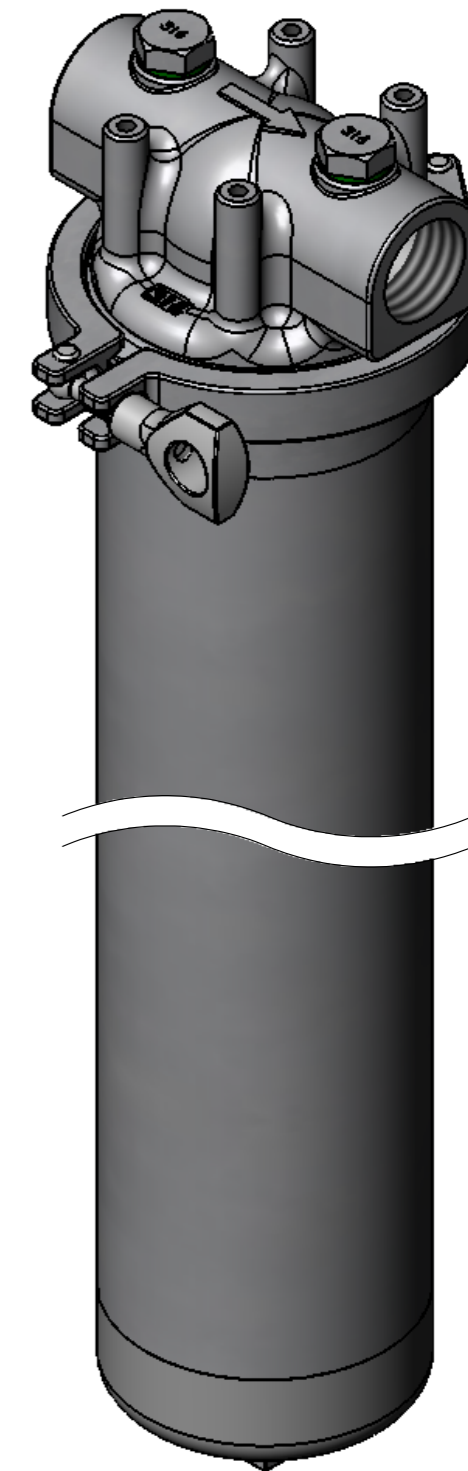


**NOZZLE INDEX**

| Connection | Size   | Type   | DIN      |
|------------|--------|--------|----------|
| N1         | Rp 1   | Inlet  | DIN 2999 |
| N2         | Rp 1   | Outlet | DIN 2999 |
| N3         | Rp 1/4 | Vent   | DIN 2999 |
| N4         | Rp 1/4 | Vent   | DIN 2999 |
| N5         | Rp 3/8 | Drain  | DIN 2986 |

**SPECIFICATION**

|                         |                  |
|-------------------------|------------------|
| Max. allow. pressure    | 25 bar           |
| Max. allow. temperature | -10/+80°C        |
| Volume                  | 4,9 l            |
| Material Filter Head    | AISI 304         |
| Material Filter Sump    | AISI 304         |
| Material Insert         | AISI 304         |
| Material Quick Closure  | AISI 304         |
| Material Gasket         | FPM              |
| DOE - Cartridge Length  | 762 mm           |
| Adaptor Cartridges      | 30 inch - CODE 8 |
| Weight                  | 7,6 kg           |



analog fig.

|        |            |      |        |                             |                 |
|--------|------------|------|--------|-----------------------------|-----------------|
| Date   | 31.07.2014 | Name | Leekes | Type                        | 1FUC3-25/25-A2F |
| Proof. |            |      |        |                             |                 |
| Resp.  |            |      |        |                             |                 |
| Norm   |            |      |        | Article-No.                 | 1754332025      |
|        |            |      |        | acc. drawing: 10-1392 Rev.0 | Repl. for       |

**SigaFiltration**  
Optimal Separation