

# PORALine PI

## Polymer Cartridge Filter Housing

**NSF 42 Certified**  
cartridge filter  
housing with  
screwed lid

PORALine filter housings are manufactured of a durable polypropylene or clear Styrene-Acrylonitrile (SAN).

Available in both 10" and 20" lengths, these housings will accommodate a wide range of 2-1/2" to 2-7/8" diameter cartridges. The reinforced polypropylene cap offers an optional pressure relief button on the inlet side to relieve pressure inside the housing when changing filter cartridges.

Clear Standard Filter Housings offer on-site examination of flow, performance, and cartridge life. They are ideal for a variety of applications.

The internal valve-in-head on VIH housings allows both inlet and outlet ports to be simultaneously shut off with a half turn of the handle. This eliminates the need for external shut-off valves. Radial sealing O-rings and sealing surfaces are continuously cleaned each time the valve is used, ensuring leak-proof operation.



Features			
	09B	09 C	20B
IN/OUT	¾" 1"	¾" 1"	¾" 1"
Max. pressure at 50° C (bar)	8.5	8.5	8.5
Weight (kg)	1.5	1.5	2.0
Material head	PP	PP	PP
Material sump	PP	SAN	PP
Material gasket	NBR*	NBR*	NBR*
Filter cartridge length	251	251	508

\* also available in other gasket materials

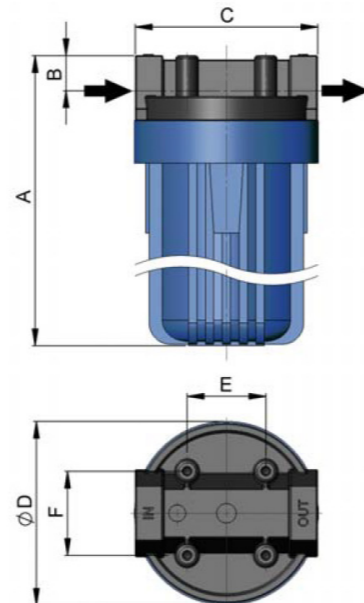
Standard 10 Clear



Standard 10 Blue



Technical data						
Dimension	A (mm)	B (mm)	C (mm)	D (mm)	E (mm)	F (mm)
(09B) 9 7/8" blue	305	25	130	130	57	59
(09C) 9 7/8" clear	315	25	130	130	57	59
(20B) 20" blue	565	25	130	130	57	59



PORALine PI Accessories



Opening wrench PI-W



Mounting bracket PI-MB with screws

VIH

Features

The internal valve-in-head on VIH housings allows both inlet and outlet ports to be simultaneously shut off with a half turn of the handle. This eliminates the need for external shut-off valves. Radial sealing O-rings and sealing surfaces are continuously cleaned each time the valve is used, ensuring leak-proof operation.



Model code

1-Model	Product Description
PIS	STANDARD version
PIV	BALL VALVE-version
2-Code	Type of housing/ length
09B	PP-sump/ 251 mm (blue)
09C	SAN-sump/ 251 mm (clear)
20B	PP-sump/ 508 mm (blue)
3-Code	Connections
¾"	¾"
1"	1"
4-Code	Optional
E	Pressure relief button

© 2018 Siga Filtration (A Division of Siga UK Limited). All rights reserved.

Siga Filtration Logo is a trademark and service mark of Siga UK Limited. All other marks are properties of their respective owners. The contents of this publication are presented for information purposes only, and while every effort has been made to ensure their accuracy, they are not to be used as warranties or guarantees, expressed or implied, regarding the products and services described herein or their use or applicability. All sales are governed by our terms and conditions a copy of which is available on request. We reserve the right to modify or improve the designs or specifications of our products at any time without notice.

Siga Filtration, Unit 27 Craven Court, Glebeland Road, Camberley, Surrey, GU15 3BU, United Kingdom  
 E. enquiries@sigafiltration.co.uk  
 W. www.sigafiltration.co.uk  
 T. +44 (0) 1276 583 046