

STERALine PBT

Sanitary Cartridge Filter Housing

T Style sanitary
filter housings for
food, beverage &
pharmaceutical

STERALine PBT cartridge filter housings are available in single or multi cartridge configurations for applications in food, beverage and pharmaceutical industry.

All housings come with a tripod stand, Code 7 cartridge locking and a standard internal finish of <math><0.6\text{Ra}</math> (optional 0.38Ra).



Typical applications

- Sterile or fine filtration of beer, wine, spirits
- Pharmaceutical
- Cosmetics
- Food & beverage
- Sterilisation

Specification overview

Vessel material:	316L Stainless Steel
Internal/external finish:	Mechanical polish
Internal roughness:	<math><0.6\text{Ra}</math>
Number of cartridge:	1, 3, 5, 8
Length of cartridges:	10", 20", 30", 40"
Seal:	FDA approved Silicone
Connections:	Triclamp, DIN11851
	Suitable for SIP & CIP
Certification:	PED Directive (2014/68/EU)

Optional documentation

- Roughness certificate
- Material certificate 3.1b
- Atex certificate










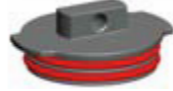



Specifications

STERALine PBT

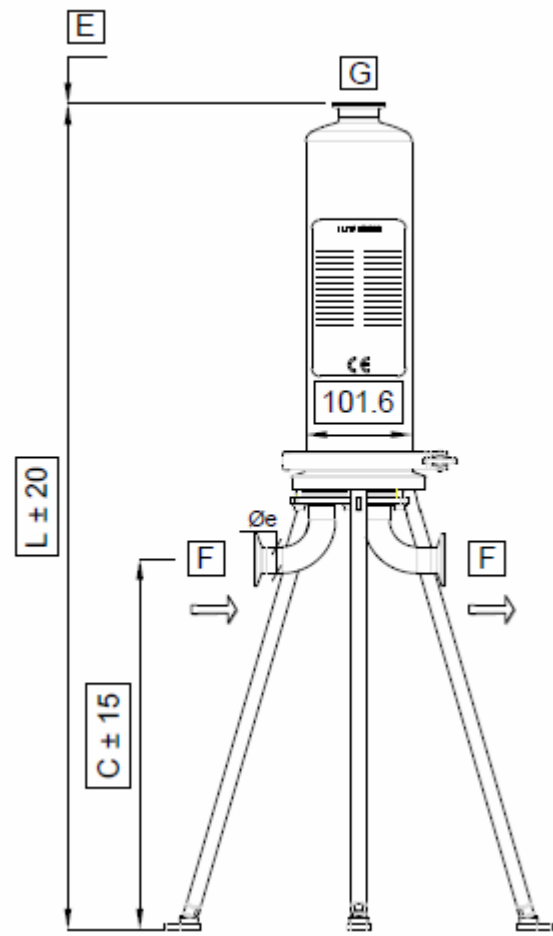
Features	
Applications	Food, beverage, pharmaceutical, API, fine chemicals and semiconductor industry
Construction	Hygienic, easy to clean design eliminates dead space and pockets
Cartridge locking	Secure sealing with double O ring Code 7 locking mechanism
Traceability	Identification with serial number. Optional 3.1b certificate
Controlled manufacturing	Clean manufacturing facility which only handles Stainless Steel materials
Specifications	
Configurations	1, 3, 5, 8 cartridges
Available heights	10", 20", 30", 40"
Connection type	Triclamp (standard), DIN11851 (male part) (other options on request)
Cartridge end cap style	Code 7
Wetted parts	316L Stainless steel
Mounting	Tripod
Closure	Clamp
Gasket	FDA approved Silicone (Standard), EPDM
Internal roughness	< 0.6Ra – other options available
Max. Allowable Working Temperature	
Max. temperature	Up to 150°C
Max. Allowable Working Pressure	
Max. pressure	Up to 10 bar
Optional Documentation*	
Optional	<ul style="list-style-type: none"> ~ Surface Roughness certificate ~ Material certificate 3.1b ~ ATEX certificate <p>*At extra cost. Must be requested at the time of quotation.</p>

Accessories

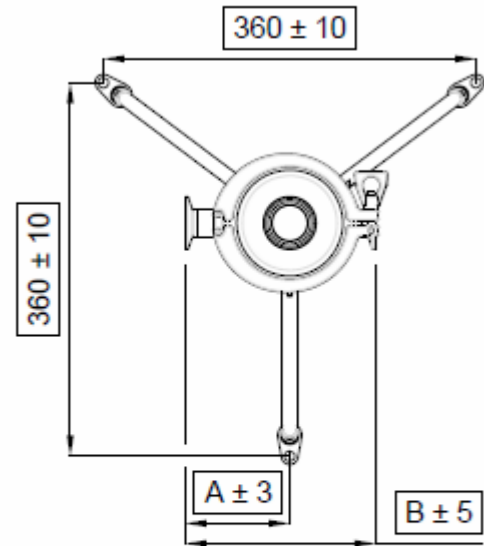
STERALine PBT

STERALine PBT		
		
801300006 Sanitary pressure gauge with one vent, 0 – 6 bar 801300010 Sanitary pressure gauge with one vent, 0 – 10 bar	801310006 Pressure gauge with sight glass and two vents, 0 – 6 bar 801310010 Pressure gauge with sight glass and two vents, 0 – 10 bar	
		
802300150 ½" Triclamp drain valve	VSC4TCPG1025 1" Triclamp drain valve 304SS	802310150 Triclamp sample valve
		
8020XXXXXX DIN male/female adaptor with pressure gauge. 1" - 3"	8030XXXXXX Triclamp adaptor with pressure gauge. 1" - 3"	
		
DM1074S Code 7 blanking plug, Silicone DM1074V Code 7 blanking plug, Viton	DM1233S Code 7 to Code 8 adaptor, Silicone DM1233V Code 7 to Code 8 adaptor, Viton	
		
DM114210S Code 7 to DOE adaptor, 10" DM114220S Code 7 to DOE adaptor, 20" DM114230S Code 7 to DOE adaptor, 30"	VFXXXXXXX Sanitary butterfly valve. Triclamp or DIN. 1" - 3"	

Single cartridge housing

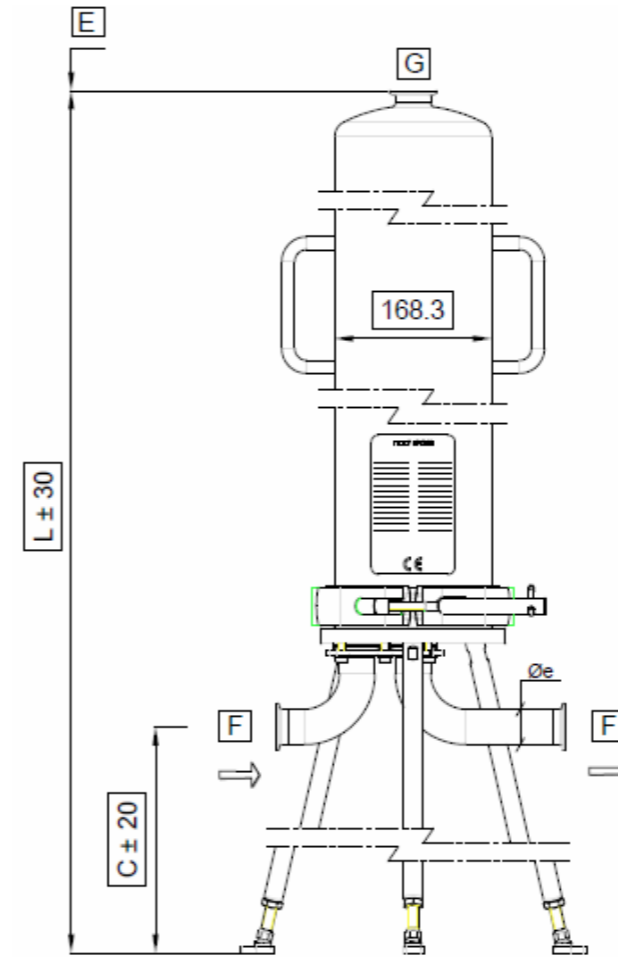


Vessel type	011	012	013	014
Cartridges height	10"	20"	30"	40"
L = mm	790	1040	1290	1540
E = mm	300	550	800	1050
Total vessel volume litres (V)	2.9	4.7	6.6	8.5
Integrity test volume litres (Vi)	1.9	3.0	4.1	5.2
Bowl weight kg	1.9	3.2	4.5	5.8
Total net weight kg	6.8	8.0	9.2	10.4
Packaging size cm 31x22x	56	81	106	130
Total weight packed kg	9	10	11	12

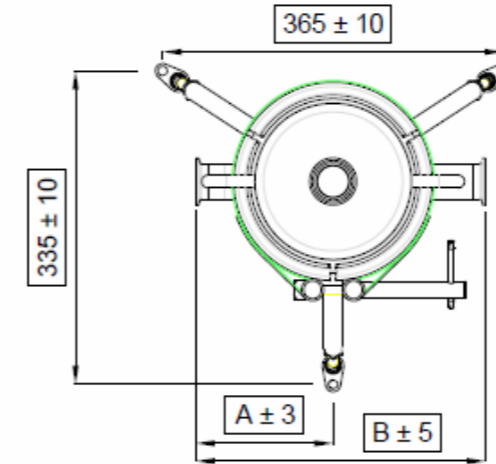


	Øe	A	B	C
DIN 11851 DN25	25.4	115	212	365
CLAMP TC 1.0"	25.4	100	182	365
DIN 11851 DN40	38.1	140	271	345
CLAMP TC 1.5"	38.1	121	232	345

Three cartridge housing



Vessel type	031	032	033	034
Cartridges height	10"	20"	30"	40"
L = mm	830	1080	1330	1580
E = mm	300	550	800	1050
Total vessel volume litres (V)	7.5	12.8	18.0	23.3
Integrity test volume litres (Vi)	4.8	7.6	10.5	13.4
Bowl weight kg	4.0	6.0	8.0	10.0
Total net weight kg	17	19	21	23
Packaging size cm 46x32x	85	85	110	135
Total weight packed kg	21	23	25	27



	Øe	A	B	C
DIN 11851 DN40	38.1	166	348	370
CLAMP TC 1.5"	38.1	147	310	370

1-Model	Product Description
SPBT	STERALine PBT – Hygienic Cartridge Filter Housing
2-Code	Number of Cartridges
1	1
3	3
5	5
8	8
3-Code	Cartridge Length
10	254mm (10")
20	508mm (20")
30	762mm (30")
40	1016mm (40")
4-Code	Connection Size
DN25	1"
DN40	1 ½"
DN50	2"
DN65	2 ½"

5-Code	Connection Type
TC	Triclamp
DIN	DIN11851 (male part)
6-Code	Cartridge End Fitting
7	Code 7 (2 x 226/spear)
7-Code	Seal Material
E	Ethylene Propylene
S	Silicone
8-Code	Drains
N	No drains
ID	Inlet drain only
OD	Outlet drain only
IO	Inlet & outlet drains
9-Code	Special Options
N	None

© 2016 Siga Filtration (A Division of Siga UK Limited). All rights reserved.

Siga Filtration Logo is a trademark and service mark of Siga UK Limited. All other marks are properties of their respective owners. The contents of this publication are presented for information purposes only, and while every effort has been made to ensure their accuracy, they are not to be used as warranties or guarantees, expressed or implied, regarding the products and services described herein or their use or applicability. All sales are governed by our terms and conditions a copy of which is available on request. We reserve the right to modify or improve the designs or specifications of our products at any time without notice.

Siga Filtration, Unit 27 Craven Court, Glebeld Road, Camberley, Surrey, GU15 3BU, United Kingdom
 E. enquiries@sigafiltration.co.uk
 W. www.sigafiltration.co.uk
 T. +44 (0) 1276 583 046