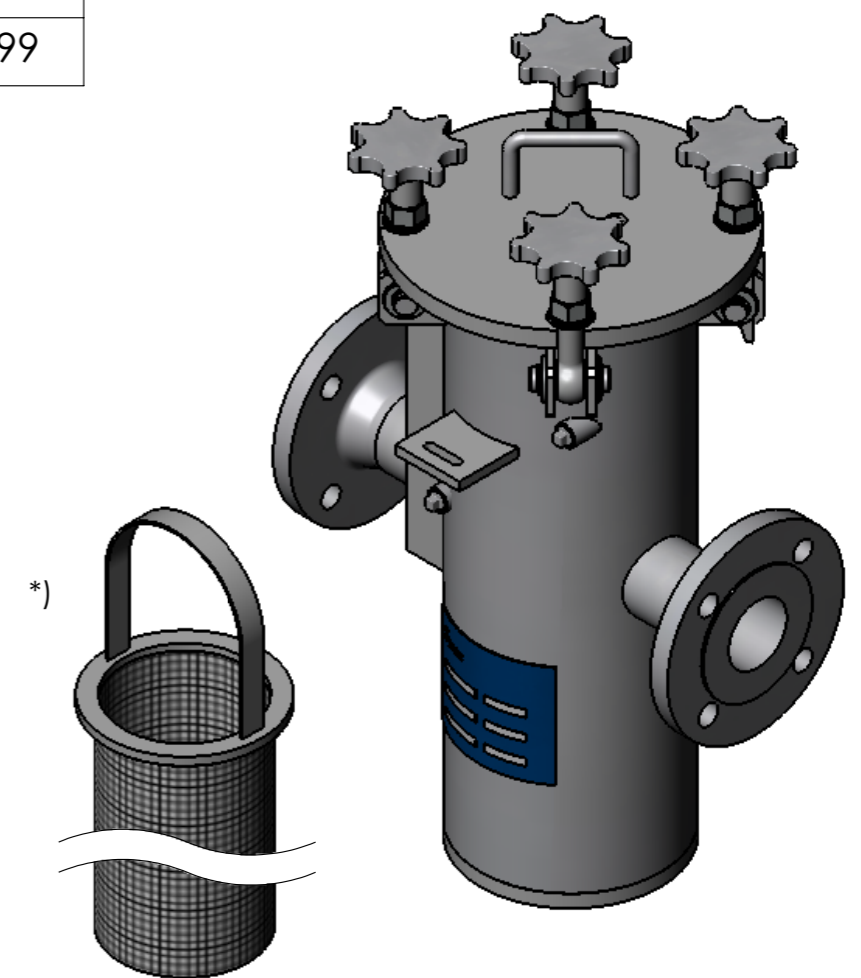


## NOZZLE INDEX

| Connection | Size       | Type           | DIN         |
|------------|------------|----------------|-------------|
| N1         | DN 50 PN16 | Inlet          | DIN 2633, C |
| N2         | DN 50 PN16 | Outlet         | DIN 2633, C |
| N3         | Rp 3/8     | Vent           | DIN 2999    |
| N4         | Rp 3/4     | Drain          | DIN 2999    |
| N5         | Rp 1/4     | Diff. pressure | DIN 2999    |
| N6         | Rp 1/4     | Diff. pressure | DIN 2999    |

## SPECIFICATION

|  |                 |
|--|-----------------|
| Max. pressure                                  | 10 bar          |
| Test pressure                                  | 14,3 bar        |
| Max. temperatur                                | -10/+80°C       |
| Volume   | 11 l            |
| Material housing                               | AISI 304        |
| Material gasket                                | O-Ring FPM      |
| Material bolts                                 | stainless steel |
| Weight   | 26 kg           |
| * filter basket against filter mesh - optional |                 |



|            |         |                             |                    |
|------------|---------|-----------------------------|--------------------|
| Date       | Name    | Type                        | SF-IL-16-10/F50-A2 |
| 10.08.2009 | Brixius |                             |                    |
| 03.04.2013 | Leekes  |                             |                    |
|            |         | Article-No.                 | 5201763050         |
|            |         | acc. Drawing: 10-1224 Rev.1 |                    |