

acuraLine SF-IL

Inline Basket Filters in Stainless Steel

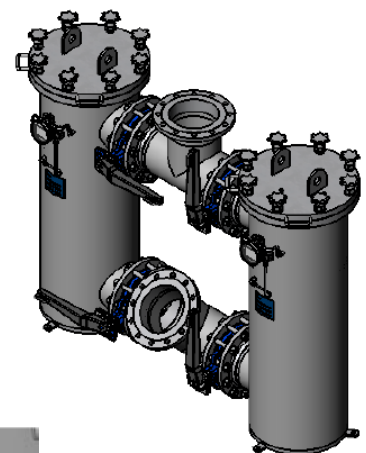
High flow rate industrial units with **removable baskets** in a range of mesh sizes

High flow rate industrial units with removable baskets in a range of mesh sizes. Ideal for coarse or prefiltration applications.

SF-IL basket filters feature high flow rate capability (4m³/hr to 300 m³/hr) and come with flanged connections as standard.

Inline design allows easy installation and minimises site modifications.

All acuraLine housings can be supplied fully assembled with optional DP gauge to indicate blocked filter. Also available in duplex arrangement, complete with valves.



Fully assembled DP gauge to indicate blocked filter (optional)

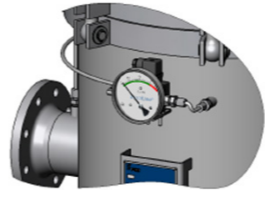

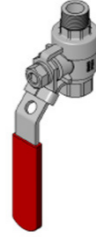

Specifications

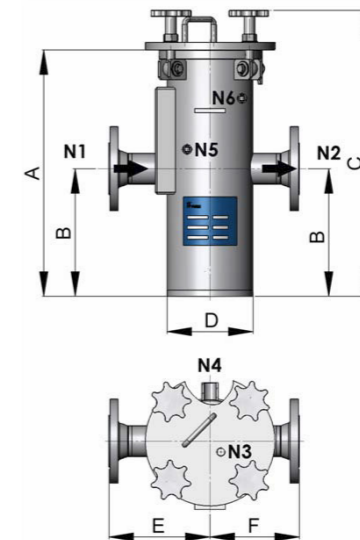
acuraLine SF-IL

Features	
Applications	Filtration of oils, chemicals, waste water, paints & CNC coolants.
Connections	Inline connections for easy installation.
Filter element	Cleanable mesh basket with integral handle.
Traceability	Identification with serial number.
Construction	Strong industrial design with bolted closure and star nuts.
Design Code	According to AD2000.
Specifications	
Flow rate capability	4m ³ /hr to 300m ³ /hr
Connections	PN16 flanged connections
Housing material	304 Stainless Steel (Optional 316SS)
Mounting	Free standing unit
Closure	Bolted closure with star nuts
Gasket	Viton
Material of start nuts	Stainless Steel A2
Material of bolts	Stainless Steel A2
Vent/Pressure gauge	3/8" with plug
Drain	3/4" with plug
Diff. pressure gauge points	1/4" with plug
Basket micron ratings	50, 100, 300, 500, 1000, 2000, 3000, 4000, 5000, 6000µm
Process Fluid	
	Only suitable for liquids
Maximum Allowable Working Temperature	
Maximum continuous	-10/80 °C
Maximum Allowable Working Pressure	
Operating pressure	10 bar
Documentation and Approvals	
Documentation	Installation and operating instructions Pressure test certificate
Approvals	Declaration of conformity according to DGRL 2014/68/EU – Classification according to Art.4 Paragraph 3 PED compliance for LIQUIDS Group 2 only (Please contact sales for other applications)

Accessories

acuraLine SF-IL

acuraLine SF-IL			
Fully assembled DP Gauge	316SS Pressure Gauge	316SS pressure gauge & vent valve assembly (0-10 bar)	316SS Automatic air vent
			
5230000003 + 5179565011 + 9882310125	(0 - 6 bar) 5208520100 (0 - 10 bar) 5208520200	4912431124	5209200001
Dimensions			



Model No	Filter area (m ²)	Max. flow rate (m ³ /hr)	Connections	A (mm)	B (mm)	C (mm)	D (mm)	E (mm)	F (mm)
SF-IL-09-16/F25-A2	0.02	4	DN25 PN40	233	91	283	Ø88.9	95	117
SF-IL-09-16/F50-A2	0.02	5	DN50 PN16	233	104	283	Ø88.9	95	117
SF-IL-16-10/F50-A2	0.11	20	DN50 PN16	480	250	560	Ø168	198	175
SF-IL-16-10/F65-A2	0.11	33	DN65 PN16	480	250	560	Ø168	198	175
SF-IL-22-10/F80-A2	0.22	45	DN80 PN16	615	300	690	Ø219	225	225
SF-IL-22-10/F100-A2	0.22	70	DN100 PN16	615	300	690	Ø219	225	225
SF-IL-27-10/F125-A2	0.31	125	DN125 PN16	800	450	880	Ø273	295	275
SF-IL-27-10/F150-A2	0.31	170	DN150 PN16	800	450	880	Ø273	295	275
SF-IL-40-16/F200-A2	0.83	280	DN200 PN16	1113	700	1207	Ø406	429	305

© 2016 Siga Filtration (A Division of Siga UK Limited). All rights reserved.

Siga Filtration Logo is a trademark and service mark of Siga UK Limited. All other marks are properties of their respective owners. The contents of this publication are presented for information purposes only, and while every effort has been made to ensure their accuracy, they are not to be used as warranties or guarantees, expressed or implied, regarding the products and services described herein or their use or applicability. All sales are governed by our terms and conditions a copy of which is available on request. We reserve the right to modify or improve the designs or specifications of our products at any time without notice.

Siga Filtration, Unit 27 Craven Court, Glebeland Road, Camberley, Surrey, GU15 3BU, United Kingdom
 E. enquiries@sigafiltration.co.uk
 W. www.sigafiltration.co.uk
 T. +44 (0) 1276 583 046